



THE QUEEN'S  
PLATINUM JUBILEE  
BEACONS  
2<sup>ND</sup> JUNE 2022



YOUR GUIDE TO TAKING PART



# Certificate of Grateful Recognition



This A4 certificate will be sent to all participants at the end of June 2022, via email, enabling them to print, frame and keep it as a permanent reminder of the moment in history celebrated.

You may wish to print off extra copies, presenting them to those assisting you in this special tribute to Her Majesty The Queen.

# Introduction

## A warm welcome to all our fellow celebrators.

There is a long and unbroken tradition in our country of celebrating Royal Jubilees, Weddings and Coronations with the lighting of beacons - on top of mountains, church and cathedral towers, castle battlements, on town and village greens, country estates, parks and farms, along beaches and on cliff tops. In 1897, beacons were lit to celebrate Queen Victoria's Diamond Jubilee. In 1977, 2002 and 2012, beacons commemorated the Silver, Golden and Diamond Jubilees of The Queen, and in 2016 Her Majesty's 90th birthday.



The Queen's Diamond Jubilee Beacon, The Mall, London, 4th June 2012.  
©Press Association Images.



Town Crier, James Donald - Howick, New Zealand.

On 2nd June 2022, we will celebrate another unique milestone in our history, Her Majesty The Queen's 70th year as our Monarch and Head of the Commonwealth - her Platinum Jubilee. It is a feat no previous monarch has achieved.

More than 1,500 beacons will be lit throughout the United Kingdom, Channel Islands, Isle of Man and UK Overseas Territories, and one in each of the capital cities of Commonwealth countries in recognition of The Queen's long and selfless service. The beacons will enable local communities, individuals and organisations to pay tribute to her as part of the official Platinum Jubilee Weekend of celebrations from 2nd to 5th June 2022.

There are three types of beacons being lit for this historic occasion:

- A free - standing beacon fuelled by bottle gas (see pages 11 & 12)

- A beacon brazier with a metal shield. This could be built by local craftsmen/women or adopted as a project by a school or college (see page 13).

- A bonfire beacon and (see page 14)

Communities with existing beacon braziers are encouraged to light these on the night.

If you wish to take part, you can register your participation by providing the information requested on page 10 under the heading, "How to take part," sending it direct to [brunopeek@mac.com](mailto:brunopeek@mac.com).



Bonfire Beacon (HM The Queen's Diamond Jubilee, 4th June 2012). Inveraray Castle, Scotland.  
© Inveraray Castle.



A gas fuelled beacon on HM Tower of London in celebration of The Queen's Diamond Jubilee. Photo provided by courtesy of HM Tower of London.

At **1pm** local time Town Criers are being invited to undertake the Proclamation (see page 8) announcing the lighting of the beacons later that evening. As the sun sets at **9.09pm** across the UK and the Commonwealth, individual pipers and pipe bands are being asked to play "Diu Regnare" from central locations of their choice from within their local communities as their personal tribute to Her Majesty The Queen. (This time will vary in each time zone across the world). This unique tune has been especially written for this historic Jubilee by Piper Stuart Liddell, 2020 Glenfiddich

Champion and Pipe Major of the World Champion Pipe Band, Inveraray and District (see page 9).

"The Royal Scottish Pipers' Society are honoured to participate in our Patron The Queen's Platinum Jubilee Celebrations in June 2022.

Her Majesty's extraordinary service to this country is unparalleled. Accordingly, we encourage everyone to express their appreciation and gratitude by supporting this amazing Jubilee event," said Gordon Wallace, Hon. Pipe Major, Royal Scottish Pipers' Society.



Piper Robert Cunningham on the Peak of Scafell Pike, England. By kind permission of The National Trust.

Alan Hay, Chairman of The Royal Celtic Society whose Patron is Her Royal Highness The Princess Royal said, "Having for two hundred years been at the cutting edge of traditional music and language in Scotland, we recognise the enormous commitment Her Majesty The Queen, has made in serving the Commonwealth and its people. We are delighted therefore, to encourage all our members to participate in the Jubilee celebrations and our pipers to play Diu Regnare, composed by our member Stuart Liddell in honour of this historic event."

The National Piping Centre, whose Patron is His Royal Highness The Prince of Wales, is also delighted to be involved in The Queen's Platinum Jubilee Beacons, and will be encouraging pipers throughout the UK, Channel Islands, Isle of Man, and in the capital cities of the Commonwealth, to play this special tune five minutes before the beacons are lit that evening.

"The Royal Scottish Pipe Band Association would be delighted to support such an auspicious occasion and we will invite all our members to support this initiative as events like these help promote the long standing relationship the The Royal Scottish Pipe Band Association has with The Royal Family and we congratulate Her Majesty The Queen on her Platinum Jubilee," said Kevin Reilly, Chairman RSPBA.



Northumbrian Piper Andrew Davidson.

"The Northumbrian piping community will be extremely thrilled and honoured to be involved in this tremendous project being organised to recognise The Queen's Platinum Jubilee," said Tom Fairfax - Trustee, Northumbrian Pipers' Society.

To coincide with the lighting of the beacons throughout the Commonwealth, choirs in local communities will be encouraged to sing a specially written song. A competition to select the song will take place throughout the Commonwealth and I have asked my good friends from the Commonwealth Resounds, a musical organisation accredited to the Commonwealth with many years of experience, to coordinate this on my behalf. Details of the competition can be found on the website [www.commonwealthresounds.com](http://www.commonwealthresounds.com).

"The Royal Institution of Chartered Surveyors (RICS) is honoured to lead the lighting of the UK's Anchor Chain of beacons for our Patron's historic Platinum Jubilee. It is only fitting that this aspect of the beacons will be led by RICS Matrics, a key part of our organisation which supports many thousands of young professionals in shaping their own future history and lasting legacy." Sean Tompkins, CEO RICS.



Hadrian's Wall runs from Wallsend in Tyneside through the county of Northumberland to the west of Carlisle, Cumbria, England. Photos by courtesy of Roger Clegg.

“The NFU is delighted to be supporting The Queen’s Platinum Jubilee Beacons and will be encouraging our members throughout England and Wales to light beacons as part of the celebration. From the uplands to the lowlands, our farmers will be lighting beacons on the most iconic parts of the countryside in tribute.” Minette Batters, President, NFU.

Walking with the Wounded, one of our country’s leading Forces charities, will light gas-fuelled beacons on top of the four highest peaks in the UK - Ben Nevis, Scotland; Scafell Pike, England; Mount Snowdon, Wales, and Slieve Donard, Northern Ireland, paying tribute to The Queen while raising valuable funds for the welfare of wounded service personnel.

Beacons will also be lit on The Queen’s Sandringham and Balmoral Estates, at the Copper Horse statue of King George III



in Windsor Great Park, Hillsborough Castle, Northern Ireland, and on the battlements of the Tower of London. In my home town of Great Yarmouth, Norfolk, the Borough Council will light its beacon brazier on the town’s famous Golden Mile. One will also be lit outside the 17th century Tan Hill Inn in the Yorkshire Dales, the highest pub in Great Britain. English Heritage will light at least 17 beacons on heritage sites, and others will be lit in Enniskillen, County Fermanagh, Northern Ireland; Sark and Alderney in Channel Islands, St Davids, the most westerly City in Wales, and the Isle of Wight.

One Voice Wales, which has taken part in previous jubilee events, will be inviting member councils to light beacons, and Historic Houses will encourage member estates to participate too.

The Queen’s Jubilee Beacons on 2nd June 2022 also provides a unique opportunity for NHS leaders at trusts across the UK to say thank you to all hospital workers for their dedication and professionalism during these recent challenging times, believing it will assist in reaffirming the support and respect colleagues have for each other, and serve as a “beacon of light” within the healthcare community.

Two hospitals have already signed up. Tameside and Glossop Integrated Care NHS FT in Greater Manchester, and The Royal Orthopaedic Hospital, (ROH) in Birmingham, and they plan to create a party atmosphere as part of beacon lighting in celebration of this unique Jubilee by inviting their staff to a pre-lighting event, involving food, refreshment and local entertainment. Tameside Hospital is hiring a giant marquee which will serve afterwards as the venue for the annual staff awards and ROH will run a competition to find the lucky colleague given the honour of lighting the beacon on the night.

With this in mind, hospitals can easily get involved by approaching their Trust’s endowment or charitable fund to cover the cost of a gas-fuelled beacon. This shouldn’t create a problem as it will be seen as an important staff health and wellbeing benefit. Nearby supermarkets may be happy to supply snacks and drinks at low or no cost.



Battel Bonfire Boyes. Photograph by Clifton Brothers.

This is an important celebratory moment in The Queen’s life and for tips on how your Trust can make it a night to remember contact Susan Osborne, NHS Liaison Director, Platinum Jubilee Beacons at [susanosborne.uk@me.com](mailto:susanosborne.uk@me.com) Go to **page 10** to register your participation.

“Battel Bonfire Boyes, (photo above) the world’s **oldest** bonfire society, is delighted to be lighting a beacon in celebration of The Queen’s Platinum Jubilee as part of this amazing tribute,” said Matt Southam, press and publicity officer.

The Sea Cadets will build and light 50 beacons across the UK, from the highlands of Scotland to the Channel Islands, from Northern Ireland and Wales, to Kent and Essex. The Army Cadets are also supporting the event and will light the National Sports Beacon at the start of the National Athletics Championships in Grantham.

Dyfed & Glamorgan Army Cadet Force will light a beacon on top of Pen-y-Fan, the highest peak in South Wales, as part of a pan-Wales Army Cadets event to mark the Jubilee.

We are also pleased to confirm the involvement of Girlguiding throughout the UK, Channel Islands and the Isle of Man, with Girlguiding Chief Guide Amander Medler saying, "I'm delighted that Girlguiding is supporting the lighting of Beacons to celebrate this very special Jubilee marking the 70-year reign of our Patron Her Majesty the Queen."

Beacons are being lit on some of our country's oldest estates, including Woburn Abbey, Highclere Castle, Cholmondeley Castle, Hatfield House, Belvoir Castle, Holkham Hall, Houghton Hall, Bolton Abbey, Blenheim Palace, Arundel Castle, Chatsworth, Wellington, Roxburgh and Badminton. Hadrian's Wall Partnership and its communities along the Wall are also involved and will be lighting celebration beacons.

The Right Honourable Lord McLoughlin CH, BTA Chairman said, "I would like to encourage every City, County, Borough, District, Regional, Community, Town and Parish Council throughout Great Britain to light a beacon in celebration of this unique moment in The Queen's life, and would ask all those taking part to go to page

9 of this Guide and register their involvement as soon as possible."

"The National Coastwatch Institution is delighted to be part of this important tribute to Her Majesty The Queen, and will be encouraging all its 56 watch stations around the coast of England and Wales to take part in lighting beacons on the night," said Commander Lesley Suddes RN, Chairman NCI. Beacons will also be lit at Coastwatch Scotland's Irvine and St Monans stations by their groups of volunteers.

Captain Ian McNaught, Deputy Master of Trinity House, said, "I am pleased that we at Trinity House can support this event marking HM The Queen's Platinum Jubilee. By lighting beacons at lighthouses around our shores we will help make this a celebration to remember and also honour our long-standing involvement with Her Majesty and The Royal Family."

"The Chiddingfold Bonfire Association (*photo left*) consider it a great honour in using this opportunity to pay tribute to Her Majesty The Queen by lighting a beacon in celebration of her

Platinum Jubilee on behalf of our wonderful village and community. Our tradition of lighting beacons for Her Majesty The Queen extends all the way back to her Coronation in 1953, Silver, Golden and Diamond Jubilees and her 90th Birthday Beacons. The earliest known record of a beacon lighting in the village is for George V's Silver Jubilee of 1935," said Simon Manuel, Chairman of the Association.

As this will be the last chain of Beacons lit during The Queen's 70-year reign, we hope that individuals, local authorities, voluntary and youth groups, farming communities and others will join with the many organisations who have already agreed to take part in this special tribute to Her Majesty on 2nd June 2022. Let's make it the largest celebration of its kind the world has ever seen.

"Rotary International Great Britain & Ireland are delighted to once again take part in Her Majesty's Platinum Jubilee Beacon Event as we were for the Diamond Jubilee, we look forward to clubs around Scotland, England, Ireland, Wales, The Channel Islands and the Isle of Man taking an active role in this prestigious event," said David Ellis, Chairman of the Executive, Rotary International Great Britain & Ireland.

Councillor Sue Baxter, NALC chair, said: "The National Association of Local Councils (NALC) is delighted to be supporting The Queen's Platinum Jubilee Beacons, and will be encouraging local councils throughout England to light beacons as part of this celebration".

Please be kind enough to register your involvement by providing the information requested on **page 10** and sending it to [brunopeek@mac.com](mailto:brunopeek@mac.com) as soon as possible, but **no later than 1st June 2022** so that we can keep you informed.



Chiddingfold Bonfire Society Torchlight Procession.  
Photograph by Steve Baker.

*Bruno Peek*

Bruno Peek LVO OBE OPR  
Pageantmaster  
The Queen's Platinum Jubilee Beacons



# A Proclamation



*Oyez Oyez Oyez*

*Today in our nation - and throughout the Commonwealth -  
we are celebrating our glorious Queen's Platinum Jubilee.*

*Elizabeth - the second of that name -  
our most beloved Sovereign and Head of the Commonwealth for seventy years.*

*How apt that this should be the Platinum anniversary of her accession -  
Platinum - that most noble of metals,  
more precious even than gold.*

*And so it is in honour of this unique occasion  
that beacons will be lit this evening  
throughout the United Kingdom,  
the Channel Islands, the Isle of Man and the UK Overseas Territories -  
and in all the Capital Cities of the Commonwealth.*

*Let it be known,  
in proclaiming this tribute to Her Majesty the Queen on her Platinum Jubilee,  
that we are one nation and one Commonwealth.*

*God Save The Queen*



Jane L. Smith, Bognor Regis Town Crier  
and author of the Proclamation.





# Diu Regnare

Music written by Pipe Major Stuart Liddell - Glenfiddich Champion Piper

The musical score for 'Diu Regnare' is presented in ten staves of music. The key signature is one sharp (F#) and the time signature is 6/8. The score includes various musical notations such as treble clefs, notes, rests, and repeat signs. There are first and second endings marked with '1' and '2' respectively. The music is written in a single melodic line.



Stuart Liddell at Duntrune Castle on the north side of Loch Crinan in Argyll, Scotland.

A handwritten signature of Stuart Liddell in black ink.

# How to take part and beacon lighting ceremony

## How to take part

**Step 1:** To confirm your involvement and make important communication as easy as possible please register your involvement, providing the information below, direct to [brunopeek@mac.com](mailto:brunopeek@mac.com) as soon as possible please, but **no later than 1st June 2022.**

If your event is a private occasion and NOT open to the public, and you do not want your involvement shown on any public or media listing, it is important that you confirm this when providing information. Your participation will still be noted as part of this historic occasion but NOT made public. However, if your event IS open to the public, your contact details will be shared with the media so that they can contact you direct to arrange any publicity and/or coverage of your event.

Name and Job Title of Contact/Coordinator  
Name of Council or Organisation  
Name of Piper, if applicable  
Name of Town Crier, if applicable  
Name of Choir, if applicable  
Postal address including county and postcode  
Name of capital city - Commonwealth countries only  
Country - ie England, Wales, Scotland, Northern Ireland, Channel Islands, Isle of Man, UK Overseas Territory, Commonwealth Country  
Telephone number - landline  
Mobile number  
Email address  
Beacon location - if known when registering, please include the postcode

### Public or private event

Ensure you have undertaken all the safety measures outlined on pages 11 and 12 before lighting your beacon. Alert the emergency services, including the Fire Brigade, undertake any risk assessments required and ensure everyone involved is happy and familiar with your plans. (This is your responsibility as coordinator).

## Beacon lighting ceremony - 2nd June 2022

Please light your Beacon at 9.15pm.

The Beacon lighting ceremony should be undertaken as follows:

**Step 2:** Invite your Lord Lieutenant, Deputy Lieutenant, Lord Mayor, High Sheriff, High Steward, Lord Provost, Chairman or Leader of the Council to light your beacon at 9.15pm. Alternatively, you may like to organise a competition in partnership with your local media, with the winner having the honour of lighting the beacon.

**Step 3:** You might consider having professional photographs taken during your event. Immediately after, please send no more than two high quality, copyright-free photographs to [brunopeek@mac.com](mailto:brunopeek@mac.com), including the name of the photographer, the beacon location, county, country and postcode, along with the name of the council or organisation.

**Step 4:** If appropriate, use social media channels - Twitter, Facebook etc - to promote your event. On Facebook, post photographs of your beacon lighting ceremony.

**Step 5:** Publicise your event. We will provide you with a Press Release template which you can localise, providing as much information as you wish regarding your event, but including your contact details. You can send this to your local media to enable them to get in touch with you direct.



Gas fuelled beacon, East Antrim, Northern Ireland.



Bonfire beacon, Killyleagh, County Down, Northern Ireland.



Wood fuelled beacon brazier, Hilton, Derbyshire, England.

# Platinum Jubilee Gas-Fuelled Beacon

## Bullfinch Gas Equipment

The beacon's burner-head is in the shape of a globe, representing the countries of the Commonwealth, surrounded by a Crown. It is of lightweight construction and comes assembled and complete, with the exception of the gas cylinders, which must be purchased separately. One 47kg propane cylinder or 2 x 19kg cylinders are recommended to give a full flame for a good three quarters of an hour.

These cylinders can be purchased from Flogas Britain who have been supplying Liquefied Petroleum Gas for over 35 years. They have the largest national delivery network in the UK, and hold the Carbon Trust Standard and Royal Warrant. Contact them as soon as possible to avoid delays or disappointment. Phone: **0800 574 574** or contact them via their website: [www.flogas.co.uk](http://www.flogas.co.uk). For their propane safety data sheet go to <https://www.flogas.co.uk/app/uploads/2-0-propane-cylinder-safety-sheet-v2-1-1.pdf>. The Gas Torch needed to light your beacon safely requires a 400g cylinder of propane with CGA600 fitting - Bullfinch No 1644 or Rothenberger or equivalent. Travis Perkins, Screwfix, Plumb Centers and some DIY stores should have these as stock items, or search online.

The Platinum Jubilee Gas-Fuelled Beacon Package contains:

- Burner unit with Crown & Platinum Jubilee insignia
- 2m high stand
- Ground anchor and rope for fixing the stand to the ground
- 10m hose with the regulator for connecting to the gas
- Gas torch for lighting
- Spanner
- Leak detecting fluid
- Hose assembly and Y manifold to link 2 cylinders
- Lighting and safety instructions

The above items are packed into 2 strong cartons. The tripod describes a circle area of about 1.32m diameter and the beacon has an extended height of about 2.15m.



The beacon is stable in the wind. It is supplied with a ground anchor and rope for securing to the ground if this is possible, or we would recommend the use of sandbags. Full instructions are provided for this. The beacon must be supervised by two people at all times when lit and a fire extinguisher must always be available. It is important that supervision should be undertaken by those who are competent and it is essential that a lighting trial



Gas-fuelled Beacon on a Church Tower.

takes place before the event to ensure that everyone is fully trained and familiar with the operation. The price of a gas-fuelled Platinum Jubilee Beacon is £490 plus VAT, including carriage to your door within UK mainland (Highlands and Islands excluded). There will be an extra charge for other areas.

Some of the benefits of this style of beacon are that it can be seen for miles once lit, is suitable for all manner of high

and low locations, is easily collapsible and once used can be stored away for later use.

To order your beacon please contact:  
 Bullfinch Gas Equipment,  
 Kings Road, Tyseley,  
 Birmingham, B11 2AJ.  
 Tel: 0121 765 2000  
 Fax: 0121 707 0995  
 Email: [sales@bullfinch-gas.co.uk](mailto:sales@bullfinch-gas.co.uk)  
 Web: [www.bullfinch-gas.co.uk](http://www.bullfinch-gas.co.uk)

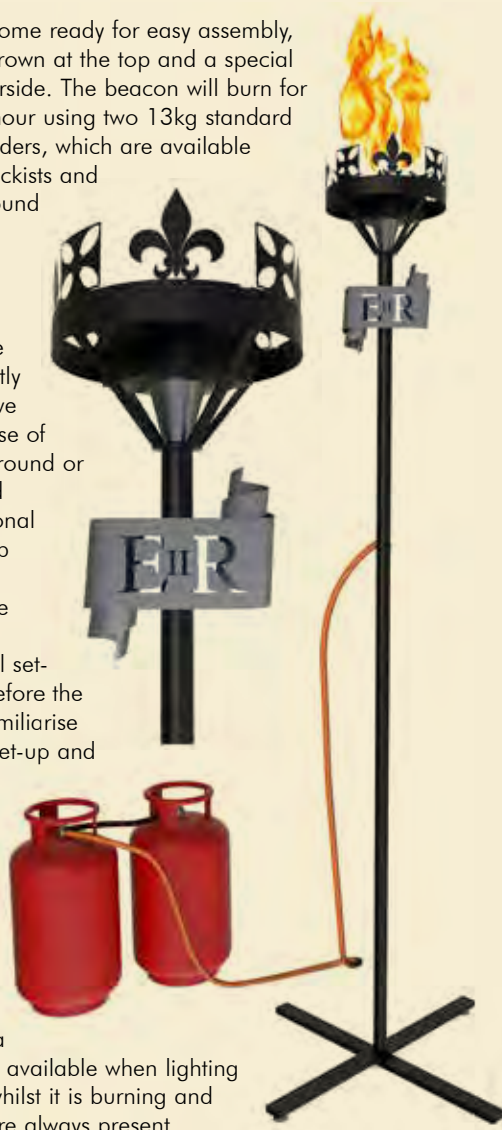


Payment by cheque, BACS transfer, or Credit/Debit Card. Last date to order to guarantee delivery by 29th May is 18th April 2022. However please enquire after this date for availability.

# Platinum Jubilee Gas-Fuelled Beacon

21CC Group Ltd

The beacon will come ready for easy assembly, designed with a crown at the top and a special date plaque underside. The beacon will burn for approximately 1 hour using two 13kg standard propane gas cylinders, which are available from most gas stockists and petrol stations around the UK. The gas assembly is easily connected to the burner by a quick release fitting. The beacon is inherently stable; however, we recommend the use of anchors on soft ground or sandbags on hard ground for additional stability. Full set-up instructions are included within the pack and we recommend a trial set-up and lighting before the actual event to familiarise yourself with the set-up and operation. We have included two long-reach lighting sticks so that you can practice lighting the beacon in advance. We would also recommend that a fire extinguisher is available when lighting the beacon and whilst it is burning and that two people are always present.



## The Platinum Jubilee Beacon package contains:

- Assembly, lighting and safety instructions
- 2m high stand and burner
- 10m hose with the regulator for connecting to the gas
- Two long-reach lighting sticks
- Spanner and leak detection fluid
- Hose and Y splitter manifold to link 2 cylinders
- No additional connections required - all you need is in the box

## Beacon Price:

The price of our beacon is £490 + vat, including carriage within the UK mainland. An additional charge may be applied for other areas.

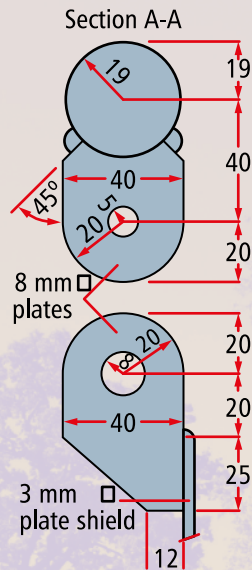
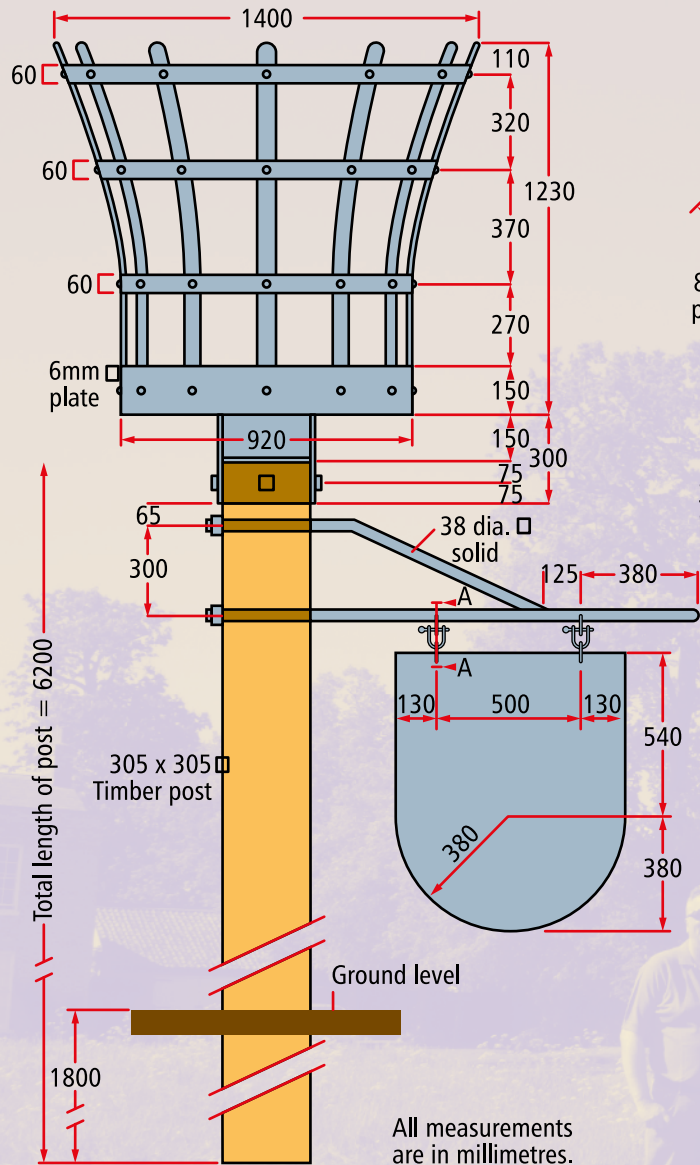
## Ordering & Payment

To order your Platinum Jubilee beacon, please contact 21CC Group Ltd by phone; **0131 331 4509** or email our beacon team on [beacons@21ccgroup.com](mailto:beacons@21ccgroup.com). Additional information can be found on our website at [www.21ccgroup.com/beacons](http://www.21ccgroup.com/beacons). Payment can be made in all the usual ways including BACS, cheque and credit/debit card. Orders received before **29th April 2022** will be delivered by 31st May 2022. All orders after 29th April 2022 will be taken on a case by case basis and subject to stock availability.



*The lighting of a gas-fuelled beacon at Edinburgh Castle, Scotland in celebration of Her Majesty The Queen's Diamond Jubilee in June 2012.*

# The Queen's Platinum Jubilee Beacon Brazier



## Beacon Brazier with Metal Shield

A beacon brazier will provide a permanent reminder of this unique moment in The Queen's reign. It can be built by local craftsmen and women, and may be used for future historic occasions in your community. It could be sited in a country park, on a hilltop overlooking the sea or a lake, in the centre of your town or village, and could become a tourist attraction for your area.



## Materials Required for Beacon Construction

Wooden centre post consisting of 305mm x 305mm wooden post, 6.25 metres in length of which 2 metres goes into the ground.

Basket and fixing brackets consisting of:

- 1 x 920mm diameter steel plate.
- 1 x 4,178mm long 60mm x 5mm steel flat bar rolled into 1,330mm diameter ring.
- 1 x 3,455mm long 60mm x 5mm steel flat bar rolled into 1,100mm diameter ring.
- 1 x 2,985mm long 60mm x 5mm steel flat bar rolled into 950mm diameter ring.
- 1 x 2,922mm long 150mm x 5mm steel flat bar rolled into 930mm diameter ring.
- 12 x (approx 1,250mm long) 60mm x 5mm vertical bars (rolled to shape).
- 1 x 310mm x 310mm x 300mm high connection box welded to base of basket.
- 1 x hanging shield and support: 3.7m length of 38mm diameter solid steel rod.
- 1 x 920mm x 760mm steel plate 3mm thick 4 x connection brackets 8mm thick (see detailed drawings left).
- 2 x pins and loops.



# Bonfire Beacon

Locate the bonfire at least 60m away from buildings, roads, railways and public rights of way, and a safe distance from dangerous materials and overhead power lines. Ensure it has good access for the transportation of materials for the bonfire and sufficient space for spectators to stand upwind.

Obtain the landowner's permission and involvement.

*Liaise with your local fire brigade and all emergency services in your area, presenting them with your plans, and seek their advice and support.*

**1** Prepare site by removing top layer of turf and stack away from fire area. Obtain seven poles, 5-6m in length. Attach four guy ropes to top of one pole and anchor as shown.

**2** Erect remaining poles as shown, ensuring tops are secured in place.

**3** Use either pallets or suitable lengths of timber, spreading them over ground area of beacon for a good through draught. Secure timber horizontally between poles as shown, preventing material placed over the framework from dropping through. Construct access tunnel to the middle of the beacon. Keep middle empty

until required. Always construct the bonfire so it collapses inwards as it burns.

**4** Use only wood for combustible materials. Do not burn dangerous items such as foam-filled furniture, old tyres, aerosols or tins of paint. Build upwards until height of centre pole is reached. Materials around top should be loosely packed to allow air flow. Cover bonfire to keep it dry.

**5** Fill centre with suitable, dry combustible materials. Check construction is stable and remove any unsuitable materials that may have been added. Look specifically for fireworks, aerosols, highly inflammable materials or containers with such materials.

**6** Construct a safety barrier out of ropes and stakes or scaffold poles to ensure public is kept at a safe distance from the fire.

**7** *In daylight, and for several hours, and up to lighting, check that there are no children or animals playing or hiding in or round the bonfire. Arrange for at least 12 marshals to be in attendance, and undertake a sufficient safety briefing before lighting the beacon.*

**8** The person looking after the fire should not wear lightweight clothing that could ignite easily. They should wear a substantial

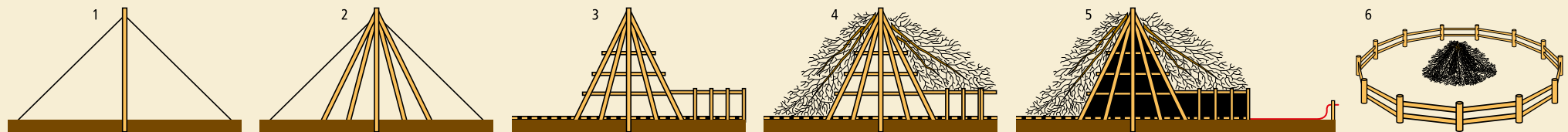
outer garment of wool, or other material of low flammability, and stout boots. They should know what to do in the event of a burn injury, or a person's clothing catching fire, and should have a fire blanket ready in the bonfire area along with a number of fire extinguishers.

**9** Lighting: the safest and recommended approach is to use paper and solid firelighters in six places just inside the walls of the beacon to ensure an even burn. Never use flammable liquids such as paraffin or petrol to get it going as this can result in uncontrolled spread of fire or explosion.

**10** To light the beacon: from poles 2m in length, prepare hand torches for lighting with paraffin-soaked rags wired around one end. Remember, paraffin is dangerous and great care should be taken. Paraffin can be used as directed, but it is still dangerous and should at all times be treated with great care - for example, always ensure all excess paraffin is drained off rags before use. If spilt on your clothes during the preparation of your beacon lighting you should replace those items of clothing before approaching any naked flames. In particular, always remember to replace the lid on any container of unused paraffin and store it in a safe place away from naked flames. Do not use an accelerant on the fire itself.



Bonfire Beacon, Shipston-on-Stour, Warwickshire, England.



▲ After the event, extinguish fire and collect remaining debris. ▲ Dig over site and re-lay turf. ▲ Leave site clean and tidy.



Above and background: The Tower of London built by William the Conqueror in the early 1080s. Through the centuries, successive monarchs have added to the fortifications.

If you are inviting personal guests to your home it is worth checking with your household insurer that you are covered in the unfortunate circumstances that there should be an accident. If your event includes inviting the public, or it is a third party venue then, where applicable, the following advice should be heeded, to ensure you have a safe and enjoyable event for everyone involved.

### Licensing

Generally, all public entertainment has to be licensed by the local authority. The law on this aims to ensure the safety of the public and performers. Local authorities treat each event individually, and what one will allow another will not. Do not be put off by the length of some of the forms - the licensing officer is there to help you.

The licensing officer's job is to advise the local authority's licensing committee on the granting of public entertainment licenses. For small scale events he or she, in effect, makes the decision. Only if your event is contentious will the licensing committee decide to consider the application in detail. Talk to the licensing officer as soon as possible. In Northern Ireland, if you plan to sell alcohol at an event, you will need to apply for an occasional liquor license from the Northern Ireland Court Service.

### Insurance

Unfortunately, accidents can happen at even the best organised events. Therefore, you will need to consider and obtain insurance cover for your event, whether you are holding an event on your own premises or someone else's. beacon/bonfire events require specialist public liability cover. If you hire a park or venue or use land owned by a third party for your activity, they are likely to require you to have your own suitable insurance to cover your liability for any injury to the public or damage to other people's land or property.

# Legal Essentials and Safety

If hiring equipment for the event, you may need to insure these items; you may also need to consider cover for loss of any financial outlay you incur if the event has to be cancelled for reasons beyond your control, or loss of money, particularly if you are holding a fund-raising event. Therefore, to help you obtain the appropriate insurance, and risk management advice, we are working closely with Unity Insurance Services, which is a specialist insurance broker in the voluntary and non-profit sector.

They have developed a range of bespoke insurance covers specifically for the Beacon/Bonfire events. Unity is owned by a charity and donates all its profits back to charity, so to obtain a quote or for more details or advice on the insurance cover you may need, please visit Unity's website or telephone them on 0345 040 7702.



Alternatively, the licensing officer may be able to direct you to a suitable specialist company or broker, but you should not try to source this kind of insurance from a non-specialist.



### Emergency Services

Tell the police well in advance about the type of event you are planning, and get in touch with your local community police officer. Write to the fire brigade and ambulance service, particularly if you are planning to have a beacon/bonfire, fireworks, or an event that will attract a large crowd. St John's Ambulance and the British Red Cross will provide first aid and sometimes a vehicle. In some areas they are simply happy to receive a donation. In others, expect a fee to be charged.



### Food and Drink

Basic food hygiene guidelines should be followed at all times if you are providing food and drink. Caterers must have food hygiene certificates. Advice on this subject can be obtained from your local council environmental officer.



### Alcohol

If you want to sell alcohol you will need to secure a licence. From February 2005, licenses are granted by the local authority rather than the Magistrates Court. You should therefore contact your local authority licensing section and seek information from them on how to apply. During 2005 all existing licenses have to be renewed and this will inevitably lead to long lead-in-times. Please apply as early as possible.



### Site Clearance

The local authority will arrange for clearance and disposal of litter after your event if it is on public ground (check for possible charges). You can help this process by arranging litter bins or recycling bins around the site, and a crew to clear up throughout the event.



### Hiring or Borrowing Equipment

Your local authorities, or local event organisers may be able to help you with contacts for supplies such as marquees, portable toilets, barriers and bunting, or may in some cases have these for you to hire and borrow. You may also need to consider generators, a public address system, and emergency flood lighting. If you need to arrange insurance for your hired equipment, Unity Insurance Services can arrange this for you too.



### All Ability Access

Access for people with a disability is very important. Many local authorities run community transport schemes. Talk to them about arranging transport. On greenfield sites, access may be improved by cutting the grass before the event.

# The Queen's Platinum Jubilee Beacons Acknowledgements

**In recognition for their generous support in funding the design of this publication  
Caravan and Motorhome Club**

**(THE LIST OF SUPPORTERS, ORGANISATIONS AND PARTICIPANTS IN ALL ACTIVITIES,  
WILL BE UPDATED AT THE END OF EACH CALENDAR MONTH UNTIL 1ST JUNE 2022)**



The Association of Lord Lieutenants, Colonel Edward Bolitho OBE, Lady Dannatt MBE, High Sheriffs' Association of England and Wales, National Association of Civic Officers, Ministry of Housing, Communities & Local Government, Michael Muskett MBE, Walking With The Wounded, HM Tower of London, Sandringham Estate, The Crown Estates, Cardiff Council, Royal Borough of Windsor & Maidenhead, The Commonwealth Resounds, Sea Cadets, Army Cadet Force, Dyfed & Glamorgan Army Cadet Force, The National Cadet Corps (Accra, Ghana), Cyprus Army Cadet Force (Nicosia, Cyprus), The Royal Canadian Army Cadets (Ottawa, Canada), The Australian Army Cadets (Canberra, Australia), Air Training Corps, Backstage Technologie Europe Ltd, Night Train Productions Ltd, Huntingdon Town Council, Flogas Britain, Bullfinch Gas Equipment, English Heritage, Unity Insurance Services, Ottewill Silversmiths & Jewellers Ltd, The High Sheriff Magazine, One Voice Wales, Solace in Business, The Royal Agricultural Benevolent Institution (RABI), Local Government Association, National Farmers Union (NFU), Historic Houses, Country Land & Business Association, Isle of Wight Council, Isle of Man Government, States of Guernsey, Islands of Herm and Jethou, Council of the Isles of Scilly, Arundel Castle, Potters Leisure Resort, Norfolk Tank Museum, Oscar Research Ltd, States of Alderney, Isle of Sark Government, Unst Community Council, Tan Hill Inn, St Davids City Council, Ceremonial News, Piper Lady Jane MacRae, Piper Stuart Liddell and Piper Robert Procter, The Royal Institute of Chartered Surveyors (RICS), SLCC For Local Council Professionals, Studioeast Ltd, Great Yarmouth Borough Council, Ministry of Defence (MOD), The Ancient & Honourable Guild of Town Criers, Mr John Singer, Sir Peter Ogden, RSABI – Supporting People in Scottish Agriculture, Malvern Hills Trust/Conservators, Peter Taunton – Town Crier, The Hadrian's Wall Partnership – Lady Jane Gibson, Undeb Amaethwyr – Farmers' Union of Wales, Scottish Land & Estates, National Federation of Young Farmers' Clubs, Parish of Lanteglos & Village of Polruan, Benedict Heyes, Councillor Carl Smith, SLCC For Local Council Professionals, NFU Scotland, Brampton Parish Council, Roger Clegg – Photographer, Balmoral Estate, Edinburgh Castle, Hillsborough Castle, Highclere Castle, Inveraray Castle, Alnwick Estate, Wellington Estate, Holkham Hall, Belvoir Castle, Arundel Castle, Hatfield House, Blenheim Palace, Badminton Estate, Woburn Abbey, Floors Castle, Caledon Castle, Houghton Hall, Cholmondeley Castle, Chatsworth Estate, Bolton Abbey, Buccleuch Estate, Studio East Ltd, National Association of Local Councils, Society of Local Council Clerks, Government of Jersey, Land's End, Cornwall, Selwyn Johnstone, Northumberland County Council, Peter Taunton, Town Crier for Newport and Stafford, TMS Media Ltd, Northumberland County Council, National Farmers Union of Scotland, Country Women Countrywide, National Coastwatch Institution, Coastwatch Scotland – Irvine Unit, Piper Finlay MacDonald, Sir Brian and Lady Ivory DL – the National Piping Centre, the Corporation of Trinity House, Coastwatch Scotland – St Monans Station, Coastwatch Scotland - Irvine Station, Chiddingfold Bonfire Association, Battel Bonfire Boyes, Burgess Hill Bonfire Society, Cymdeithas Llwodraeth Leol Cymru/Welsh Local Government Association, The Royal Observer Corps, Commercial Square Bonfire Society, Northumbrian Pipers' Society, The Royal Scottish Pipe Band Association, Girlguiding, Maiden Bradley Parish Council, The Royal Scottish Pipers' Society, The Royal Celtic Society, Beverley Town Council, British Tourist Authority (BTA), VisitBritain, Silton Parish Meeting, Lincolnshire County Council.

His Grace The Duke of Norfolk, His Grace The Duke of Rutland, His Grace The Duke of Bedford, His Grace The Duke of Argyll, His Grace The Duke of Roxburgh, His Grace The Duke of Northumberland, His Grace The Duke of Wellington, His Grace The Earl of Leicester, His Grace The Earl of Carnarvon, His Grace The Duke of Beaufort, His Grace The Duke of Marlborough, His Grace The Earl of Caledon, His Grace The Duke of Devonshire, His Grace The Duke of Buccleuch, Lord Salisbury, Lord Cholmondeley, His Grace The Duke of Fife, His Grace The Duke of Somerset, Viscount Brookeborough KG KstJ, HM Lord-Lieutenant of Co. Fermanagh. His Grace The Duke of Westminster. Viscount Boyne.

*(more acknowledgements to follow)*



# Acknowledgements



## THE COMMONWEALTH SONG

The Rt Hon Patricia Scotland QC, Secretary-General of the Commonwealth  
Bruno Peek LVO OBE OPR, Pageantmaster, The Queen's Platinum Jubilee Beacons  
Alison Cox OBE FRSA, Founder and Chairman, The Commonwealth Resounds  
Jane Hunt, Marketing and Publicity Manager, The Commonwealth Resounds  
Sally-Ann Whitty, Administration Manager, The Commonwealth Resounds  
Judith Weir CBE, Master of The Queen's Music and President, Royal Society of Musicians  
Stephen Miles, administration and logistics management  
Peter Banks – Website Consultant, Commonwealth Resounds  
Colin Eade CISC Member Services – The Guild of International Songwriters and Composers  
Greater Manchester Music Hub – Alison Home, Assistant Head of Wigan Music Service (Vocal)  
Graham Trew MVO M.Mus, FRSA



## BEACONS

### BEACON ANCHOR CHAIN

Royal Institution of Chartered Surveyors (RICS)

#### England

Deadwater Fell – **Northumberland**. Skiddaw, Nine Standards and Kirkby Stephen – **Cumbria**. Holme Moss – **Lancashire**. Mow Cop – **Staffordshire**. Beacon Hill – Charwood, **Leicestershire**.  
Lyndon Hall – Oakham, **Rutland**. St Mary's Church – Haverill, Abbey Gardens – Bury St Edmunds and Stowmarket Recreation Ground – **Suffolk**, Blenheim Palace – **Oxfordshire**.  
Guiting Power, Clentenham – **Gloucestershire**. Lands End, Chapel Carn Brea, Island of St Ives, Lower Poole Farm, Okehampton and St Agnes Beacon – **Cornwall**. North Molton – **Devon**.  
Dunkery Beacon, Brean Down, Weston-super-Mare, Pen Hill, Wells and Tunley, Bath – **Somerset**. Telegraph Hill, Blackheath and Crystal Palace – **London**.  
Stanhill Farm, Swanley, Meadon View – Hextable & Heron Park, Lydd – **Kent**. Duncton Down and Ditchling Beacon, Westmeston – **Sussex**.

#### Scotland

Hayston Hill and Collesie – **Tayside and Fife**. Edinburgh Castle – **Edinburgh**. Criffel – **Dumfries and Galloway**.

#### Wales

Cefn Ysgwydd Bach, Holyhead, Faenol Famau – **Flintshire**, land adjacent to Jubilee Tower, Moel Famau, Clwydian Range.  
St. David's Head. Haverford West Showground. Amroth Beach. Parc Mawr, Penllergaer, Gower. Hill House Farm, St Mary Hill. Mynydd Baeden – **South Wales**.

#### Northern Ireland

Knockagh Monument – **County Antrim**.

# Acknowledgements

## Beacons



### FOUR PEAKS

Walking With The Wounded.

**England** - Scafell Pike (Palgrave Ltd Seaside Good Importers & Distributors).

**Scotland** - Ben Nevis (Seajacks UK Ltd).

**Wales** - Mount Snowdon (Isadores - a boutique business and property law firm).

**Northern Ireland** - Slieve Donard (Stephenson Smart Chartered Accountants & Business Advisors).



**OTHER BEACON LOCATIONS IN THE UNITED KINGDOM, CHANNEL ISLANDS AND THE ISLE OF MAN**  
**(THE LIST OF BEACONS, TOWN CRIERS AND PIPERS WILL BE UPDATED AT THE END OF EACH MONTH UNTIL 1ST JUNE 2022)**

### ENGLAND

**Bath & North Somerset:** Peasedown St John Parish Council – Beacon Hall, Peasedown St John.

**Bedfordshire:** Woburn Abbey. Donnington Castle (English Heritage). Yelden. Clapham Parish Council – Milton Road, Clapham. Barton-le-Clay Parish Council. Moggerhanger Park Limited – Moggerhanger House, Moggerhanger Park, Moggerhanger. Shefford Town Council – Town Square, Shefford. Luton Borough Council.

**Berkshire:** Copper Horse. Windsor Great Park. Highclere Castle. Wraysbury Parish Council. Datchet Parish Council – Jubilee Green, Datchet.

**Buckinghamshire:** Latimer and Ley Hill Parish Council – Ley Hill Village Common.

**Cambridgeshire:** Huntingdon Town Council – Castle Hill, Huntingdon. Crowland Parish Council – Snowden Fields, Crowland, Peterborough. Warboys Parish Council. Eltisley Parish Council – The Green, Eltisley, St Neots. St Nicolas Church – Hail Weston.

**Cheshire:** Cholmondeley Castle. Beeston Castle (English Heritage). St Bartholomew's Church, Church Minshull, Nantwich. Beeston Parish Council – Beeston Castle – Beeston. Winsford Town Council – Rilshaw Meadows, Winsford. Guilden Sutton Parish Council – Hare Lane, Pipers Ash, Guilden Sutton. East Cheshire NHS Trust - Macclesfield District General Hospital.

**Cornwall:** Penleath Point overlooking Fowey Harbour. Pendennis Castle (English Heritage) **Not open to the public.**

Polperro Community Council. Coronation Park Trust – Coronation Park, Launceston (including firework display).

**County Durham:** Barnard Castle (English Heritage). Fishburn Parish Council. Pittington Community Organisation with Pittington Parish Council – Pittington Parish, including villages of High Pittington, Low Pittington and Littleton. Pittington Community Association with Pittington Parish Council – Littleton Green, Littleton. St Andrews Church, Winston, Nr Darlington.

Boldron Parish Meeting – Boldron Village Green, Boldron, Barnard Castle. Eggleston Parish Council – Whistle Crag, Eggleston.

**Cornwall:** Liskeard Town Council – Tower of St Martin's Church, Liskeard. St Anthony-in-Meneage Parish Meeting – Roskruge Beacon.

**Cumbria:** Brampton. Birdoswald Roman Fort (English Heritage). Whelprigg House. Mansergh Parish Meeting.

**Derbyshire:** Chatsworth Estate. Hatton Parish Council – Scropton Road Recreation Ground, Hatton. Erewash Borough Council – Market Place, Ilkeston. Erewash Borough Council – Market Place, Long Eaton.

# Acknowledgements

## Beacons

**Devon:** Blackborough Social Club – Beacon Hill, Blackborough. Plympton Civic Society – Dorsmouth Rock, Plympton. Eggesford Airfield, Trenchard, Eggesford, Chulmleigh. Oakehampton Hamlets Parish Council. Hennock Parish Council. Luppitt Parish Council – Hartridge Common Land. Exeter City Council. Buckland Brewer Parish Council – Buckland Brewer Amenity Field, Buckland, Bideford. Delamore Estate – Penn Tor, Dartmoor.

**Dorset:** Milton Abbas.

**East Sussex:** Battle (Battel Bonfire Boyes). Commercial Square Bonfire Society, Lewes. Bexhill on Sea. Willingdon and Jevington Parish Council – South Downs overlooking Willingdon. Hartfield Parish Council – Village Croft Green in the heart of the Village. Crowhurst Parish Council. Isfield and Little Horsted Bonfire Society – I.C.E. Field, Isfield. Beacon Ridge, Rye. Hamsey Parish Council – Lewes Beacon, Mount Harry, Lewes.

**East Yorkshire:** Hessle Town Council – Hessle Foreshore. Bishop Burton Parish Council. Holme Upon Spalding Moor.

Burstwick Parish Council and Burstwick Village Hall Management Committee – Feastive Field, Burstwick. Rowley Parish Council – High Hunsley.

**Essex:** Bulphan Recreation Ground, Essex. Alphamstone & Lamarsh Parish Council – Shrubs Farm, Lamarsh. Heybridge Parish Council – Plantation Hall, Heybridge, Maldon. Theydon Bois Parish Council - Theydon Bois Village Green, Theydon. ayne Community Group – The Swan Public House, Rayne. West Mersea Town Council – Victoria Esplanade, West Mersea, Colchester.

**Gloucestershire:** Badminton Estate. Chipping Sodbury Town Trust – The Ridings, Chipping Sodbury. St Edward's Church – Moreton-in-Marsh. Siston Parish Council – Siston Hill, Siston. Stow on the Wold Town Council - QEII Playing Field, Stow on the Wold.

**Greater Manchester:** Tameside and Glossop Integrated Care NHS Foundation Trust (Hospital). Stockport NHS Foundation Trust - Stepping Hill Hospital.

**Hampshire:** Isle of Wight. Wellington Estate. Hurst Castle (English Heritage). Porchester Castle (English Heritage). Hythe Marina Association – The Bund, Hythe Marina. Porchester Castle. Bramley Parish Council – Cliff Meadow Park. Bramley.

**Hertfordshire:** Hatfield House, British Camp. Stevenage Borough Council.

**Isle of Wight:** Carisbrooke Castle (English Heritage).

**Kent:** Dover Castle (English Heritage), Ashford. Badlesmere Lees and Hall Committee – Badlesmere Lees (Parish Hall). Stockbury Parish Council – Church Farm, Stockbury, Sittingbourne. Sandgate Parish Council – Esplanade, John Moore Memorial, Sandgate. Upchurch Parish Council – Upchurch Recreation Ground. Headcorn Parish Council – Days Green, Headcorn. Bethersden Parish Council – The George Field, Bethersden. Elmsted Court Farm, Ashford. New Romney Town Council – The Greens, Littlestone, New Romney. Yalding Parish Council – Roof of St Peter & St Paul Church, Yalding, Maidstone. Eythorne Parish Council – Eythorne Railway Station, Shooters Hill, Elvington, Dover. Horton Kirby and South Darenth Parish Council – Heathside, South Darenth. High Halden Parish Council – High Halden Village Green, High Halden. Minster Parish Council – St Mary's Church, Church Street, Minster, Nr Ramsgate. Westgate on Sea Town Council. Hartlip Parish Council – Hartlip Village Hall, Hartlip. Gravesham Borough Council. Appledore Parish Council. Recreation Ground, Village Hall, Historic Society etc – Appledore Recreation Ground, Appledore. Hartley Parish Council. Hawkhurst Parish Council. Eastry Parish Council. Woodnesborough Parish Council. Lydd Town Council – The Pilot, Battery Road, Lynn on Sea, Dungerness. Ashford Borough Council. Chittenden Farm, Staplehurst.

**Lancashire:** Duchy of Lancaster, Lancaster City Council, Lancaster Priory and Lancashire Lieutenantcy Office – Lancaster Castle. Earby Town Council – Bleara Moor, Earby. Barnoldswick Town Council. West Bradford Parish Council. Catterall Parish Council – Queen Elizabeth II Playing Field, Catterall, Garstang, Preston. Bolton Council.

Bibbs Farm Scout Camp Site and Activity Centre – Heath Charnock, Chorley.

**Leicestershire:** Whitwick Scout Group – Whitwick. Glenfield Parish Council – Ellis Park, off Stamford Street, Glenfield. Belvior Castle, Barkestone Wood.

**Lincolnshire:** Lincoln Castle. Scrivelsby Estate/Horncastle Town Council. Pinchbeck Memorial Ground – Opposite St. Mary's Church, Church Street, Pinchbeck. Manor Farm, Howell, Sleaford. Deeping St James Parish Council – Jubilee Park, Thackers Way, Deeping St James. Elsham Parish Council. Worlaby Parish Council. Swayfield Parish Council – High Street, Swayfield. North Scarle Parish Council – North Scarle. Haxey Parish Council. Lincoln Scout Group – Thorpe-on-the Hill. Barkston and Syston Parish Council – Barkston Heath Farm, Barkston.

**London:** HM Tower of London. Lambeth Palace.

**Merseyside:** St Helens Council – Taylor Park, Grosvenor Road, St Helens.

**Norfolk:** Sandringham Estate. Holkham Hall. Houghton Hall. Norfolk Tank Museum. Potters Leisure Resort. Broad Farm, Salhouse, Norwich. Tharston Events, Tharston. F.A.I.T.H Animal Rescue - Willow Brooks, Stubb Road, Hickling, Norwich. Acle Bridge Inn, Acle. Cromer Town Council – Ronton Road Car Park, Cromer. Sir George Morse Park, Laundry Lane, Thorpe St Andrew, Norwich. Hockham Parish Council – Hockham Playing Field. The Lacon Arms, Seaview Road, Hemsby. Jay Jays's at the Beach Cafe, Gorleston-on Sea. South Norfolk Council – Shelfanger. Ashill Parish Council – The Green, Ashill, Thetford. Northrepps Parish Council. Rockland St Mary with Hellington Parish Council. Croxton Village Hall – Playing Field, rear of village, Croxton, Thetford. Barnham Parish Council – Barnham CEVC Primary School, Barnham. Honing Estate, Honing. Thetford Town Council – Guildhall and Market Square, Thetford.

# Acknowledgements

## Beacons

**North Yorkshire:** Bolton Abbey. Tan Hill Inn. Pickering Castle (English Heritage). Richmond Castle (English Heritage). Scarborough Castle (English Heritage). Spofforth Castle Easingwold Town Council. Hauxwell Hall, Leyburn. Ripon Community Poppy Project – Ripon Market Square, Ripon. Hellifield Parish Council – Hellifield Haw. Riccall Parish Council – Riccall Park, Riccall. Barlby and Osgodby Town Council – Wainhomes Playing Field. Burton in Lonsdale Parish Council. West Tanfield Village – West Tanfield. St George the Martyr Church, Scackleton, Ryedale. Eskdaleside cum Ugglebarnby Parish Council – Sleights Moor.

**Northumberland:** Alnwick Castle. Ford & Etal Estates, Ford, Berwick-upon-Tweed – Watchlaw Farm, Berwick-upon-Tweed. Longhorsley Parish Council – Longhorsley Village Green, Longhorsley. Howick Village Hall – Hips Heugh, Howick.

**Nottinghamshire:** Robin Hood Hill, Oxtun.

**Oxfordshire:** Blenheim Palace. Henley on Thames Town Council. Westwell Parish Council. Croxden Parish Council. Brize Norton Parish Council. Highlands Farm Brightwell-cum-Sotwell – Highlands Farm, Brightwell-cum-Sotwell, Wallingford. Brightwell Baldwin Parish Meeting – Brightwell Baldwin.

**Rutland:** Caldecott Parish Council

**Somerset:** Rotary Club of Taunton. Burrington Parist Council. Uphill Village Society – Tower, Uphill Hill. Long Ashton Community Association – Peel Park, Long Ashton Recreation Ground, Long Ashton. Milton Clevedon Parish Council. St Cuthbert (Out) Parish Council. Winscombe and Sandford Jubilee Committee – Winscombe and Sandford. Glastonbury Town Council – Glastonbury Tor.

Porlock Parish Council – Porlock Recreation Ground, Porlock, Minehead.

Chard Town Council – Corner of junction north east of Crowshute Link and Michell Gardend, Chard. Wellington Town Council

**South Yorkshire:** Conisbrough Castle (English Heritage). Barnsley Metropolitan Borough Council - Owd Martha's Yard Community Garden Hoyland.

Maltby Town Council – Land between Victoria Street, Muglet Lane and Blyth Road, Maltby. Ulley Parish Council. Wales Parish Council. Hooton Pagnell Parish Council, Doncaster.

Conisbrough Parks Parish Council, Doncaster.

**Shropshire:** Sibdon Carwood Meeting. Trefonen Hill Walk - Mynydd Myfyr. Burwarton Estate – Summit of Brown Clee Hill (Highest point in Shropshire).

Prees Parish Council – Prees Cricket and Recreation Club, Prees.

**Staffordshire:** Kingstone Jubilee Group – Kingstone Parish Council. Croxden Parish Council – Wood Farm, Greatgate, Tean. Tean Leys Farm – Bagals Ordinary Worms, Leigh, Stoke of Trent.

**Suffolk:** Framlingham (English Heritage). St Peter's Church, Carlton. Ringsford and Weston Parish Council – Russell Green, Ringsfield, Beccles.

Mendlesham Parish Council - Scout Site, Land adjacent to Green Road, Mendlesham Green. West Row Parish Council – Church Green, West Row. Polstead Parish Council. Eye Town Council.

Southwold Town Council – Gun Hill, Southwold. Sudbury Town Council – The Croft, Sudbury. Bungay Town Council – Bigod Castle, Bungay.

**Surrey:** Chiddingfold (Chiddingfold Bonfire Association). Woldingham Parish Council – Woldingham. Dormansland Parish Council – Dormansland Recreation Ground, Dormansland.

St Barnabas Church, Ranmore Common, Dorking.

**Tyne and Wear:** Tynemouth Priory (English Heritage). Easington Lane Community Access Piont – ELCAP, Brickgarth.

**Warwickshire:** Burton Green Residents' Association, junction of Cromwell Lane and Red Lane, Burton Green. Fillongley Parish Council.

**West Midlands:** The Royal Orthopaedic Hospital NHS Foundation Trust – Bristol Road South, Northfield, Birmingham.

**West Sussex:** Arundel Castle, Burges Hill (Burgess Hill Bonfire Society). Bognor Regis Town Council.

**West Yorkshire:** Horsforth Town Council – Hall Park, Horsforth. City of Bradford Metropolitan District Council. Friends of Cliff Recreation Ground – Cliff Recreation Ground, Holmfirth.

Cookhill Parish Council – Cookhill Village Hall, Cookhill, Alcester. Kippax Parish Council – Cheny Basin, Kippax, Leeds.

**Wiltshire:** Old Sarum. Maiden Bradley with Yarnfield. Amesbury Town Council. Netheravon Parish Council

**Worcestershire:** Beacon Hill, Worcester. Spetchley Park and Gardens Estate. Spetchley Park and Gardens Estate. Wythall Community Association.

# Acknowledgements

## Beacons

### SCOTLAND

**Aberdeenshire:** Balmoral Castle. Hill of Tillymorgan Gulsalmond.

**Angus:** Kinnaird Castle.

**Argyll:** Inveraray Castle.

**Clackmannanshire:** Menstrie Scout Group – Top of Dumyat Hill, Menstrie.

**Fife:** St Monans (Coastwatch Scotland St Monans Unit). Royal Naval Association Rosyth & West Fife Branch - Hillend Playpark

**North Ayrshire:** Irvine (Coastwatch Scotland – Irvine Unit). Beith and District Community Council.

**Perthshire:** Blair Castle and Cardens

**Roxburghshire:** Roxburgh Estate.

**Shetland Islands:** Unst.

**South Lanarkshire:** Rutherglen West and Wardlawhill Parish Church.

### WALES

**Brecknockshire:** Pen-y-Fan.

**Cardiff:** Cardiff Castle.

**Ceredigion:** Cyngor Cymuned Aberporth Community Council – Penrhodyn, Aberporth.

**Denbighshire:** Rhuddlan Town Council.

**Gwynedd:** Abergwyngregny Regeneration Company – Abergwyngregyn. Neath Town Council – Neath Castle Gardens, Neath

**Pembrokeshire:** St Davids City. Marloes Community Council – Beacon Field, Marloes. Pembroke Dock Town Council. Milford Haven Town Council.

**Powys:** Llanfair Caereinion Town Council – Llanfair Caereinion.

**Vale of Glamorgan:** Penarth Town Council, Penarth Clifftops, Penarth.

### NORTHERN IRELAND

**Belfast:** Hillsborough Castle.

**County Fermanagh:** Eniskillen Castle.

**County Tyrone:** Caledon Castle.

### CHANNEL ISLANDS

Isle of Sark, States of Alderney, States of Guernsey, Isles of Scilly, Isle of Herm, Isle of Jethou, the Government of Jersey.

### ISLE OF MAN

Snaefell.

# Acknowledgements

## Beacons

### UK OVERSEAS TERRITORIES



**ASCENSION ISLAND**



**BRITISH VIRGIN ISLANDS**



**CAYMAN ISLANDS**



**GIBRALTAR**



**TRISTAN DA CUNHA**

*(The world's most remote inhabited island)*



**TURKS AND CAICOS ISLANDS**

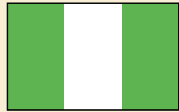
*(more acknowledgements to follow)*

# Acknowledgements

## Beacons

### COMMONWEALTH CAPITAL CITY BEACONS Regions

#### AFRICA



#### Nigeria

City - Abuja  
Rotary District 9125  
District Governor Ayoola Oyedokun



#### Ghana

City - Accra  
Rotary District 9102  
Past Assistant Governor Andrews Jack Dotsey



#### The Gambia

City - Banjul  
Rotary District 9101  
District Governor Christopher Forster



#### Tanzania

City - Dar es Salaam  
Rotary District 9214  
District Governor Young Kimaro



**Coordinators: Rotary in London District 1130**  
**District Governor – Selwyn Forman**  
**Assistant Governor – Sreetharan Vallipuram**

### Rotary Districts involved



#### Sierra Leone

City - Freetown  
Rotary District 9101  
District Governor Christopher Forster



#### Uganda

City - Kampala  
Rotary District 9213  
District Governor John Ndamira Magezi



#### Botswana

City - Gaborone  
Rotary District 9400  
District Governor Stella Anyangwe



#### Rwanda

City - Kigali  
Rotary District 9150  
District Governor Edgar Cyr K. Tougouma



#### Malawi

City - Lilongwe  
Rotary District 9210  
District Governor Victor Mensah



#### Eswatini

City - Lobamba, Mbabane  
Rotary District 9400  
District Governor Stella Anyangwe



#### Zambia

City - Lusaka  
Rotary District 9210  
District Governor Victor Mensah



#### Mozambique

City - Maputo  
Rotary District 9400  
District Governor Stella Anyangwe

# Acknowledgements

## Beacons



### Lesotho

City - Maseru

Rotary District 9370

District Governor Madeleine (Maddy) Webber



### Kenya

City - Nairobi

Rotary District 9212

District Governor Alex Nyaga



### Mauritius

City - Port Louis

Rotary District 9220

District Governor Dinesh Gajeelee



### South Africa

City - Pretoria

Rotary District 9400

District Governor Stella Anyangwe



### Seychelles

City - Victoria

Rotary District 9220

District Governor Dinesh Gajeelee



### Namibia

City - Windhoek

Rotary District 9350

District Governor Ian Robertson



### Cameroon

City - Yaoundé

Rotary District 9150

District Governor Edgar Cyr K. Tougouma



### Brunei Darussalam

City - Bandar Seri Begawan

Rotary District 3310

District Governor Dolly Yeap Siew Keat

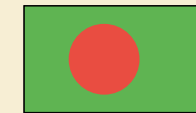


### Sri Lanka

City - Colombo

Rotary District 3220

District Governor Aruni Malalasekara



### Bangladesh

City - Dhaka

Rotary District (3281)

District Governor Mutasim Billah Faruqi

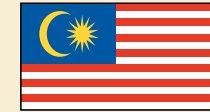


### Pakistan

City - Islamabad

Rotary District 3272

District Governor Saifullah Ejaz Chouhdary



### Malaysia

City - Kuala Lumpur

Rotary District 3300

District Governor Dato' Bindi Rajasegaran



### Maldives

City - Male

Rotary District 3220

District Governor Aruni Malalasekara



### India

City - New Delhi

Rotary District 3011

District Governor Anup Mittal



### Singapore

City - Singapore

Rotary District 3310

District Governor Dolly Yeap Siew Keat



# Acknowledgements

## Beacons

### CARIBBEAN & THE AMERICAS



#### **St Kitts and Nevis**

City - Basseterre, Charlestown  
Rotary District 7030  
District Governor Sonya Alleyne



#### **Belize**

City - Belmopan  
Rotary District 4250  
District Governor Nominee Maria Price  
Immediate Past District Governor Orlando Burns



#### **Barbados**

City - Bridgetown  
Rotary District 7030  
District Governor Sonya Alleyne



#### **St. Lucia**

City - Castries  
Rotary District 7030  
District Governor Sonya Alleyne



#### **Guyana**

City - Georgetown  
Rotary District 7030  
District Governor Sonya Alleyne



#### **Jamaica**

City - Kingston  
Rotary District 7020  
District Governor Louis Wever



#### **St. Vincent and The Grenadines**

City - Kingstown  
Rotary District 7030  
District Governor Sonya Alleyne



#### **Bahamas**

City - Nassau  
Rotary District 7020  
District Governor Louis Wever



#### **Canada**

City - Ottawa  
Rotary District 7040  
District Governor Fay Campbell



#### **Trinidad and Tobago**

City - Port of Spain  
Rotary District 7030  
District Governor Sonya Alleyne



#### **Dominica**

City - Roseau  
Rotary District 7030  
District Governor Sonya Alleyne



#### **Grenada**

City - Saint George's  
Rotary District 7030  
District Governor Sonya Alleyne



#### **Antigua and Barbuda**

City - Saint John's  
Rotary District 7030  
District Governor Sonya Alleyne

# Acknowledgements

## Beacons

### EUROPE



#### Cyprus

City - Nicosia  
Rotary District 2452  
Deputy District Governor Peter Ashdjian



#### Malta

City - Valletta  
Rotary District 2110  
Past District Governor John De Giorgio

### PACIFIC



#### Samoa

City - Apia  
Rotary District 9920  
District Governor Steve Chaney



#### Australia

City - Canberra  
Rotary District 9705  
District Governor Leo Farrelly



#### Tuvalu

City - Funafuti  
Rotary District 9920  
District Governor Steve Chaney



#### Solomon Islands

City - Honiara  
Rotary District 9600  
District Governor Wendy Protheroe



#### Tonga

City - Nuku'alofa  
Rotary District 9920  
District Governor Steve Chaney



#### Papua New Guinea

City - Port Moresby  
Rotary District 9600  
District Governor Wendy Protheroe



#### Vanuatu

City - Port Vila  
Rotary District 9910  
District Governor Grant Smith



#### Fiji

City - Suva  
Rotary District 9920  
District Governor Steve Chaney



#### Kiribati

City - Tarawa  
Rotary District 9920  
District Governor Steve Chaney



#### New Zealand

City - Wellington  
Rotary District 9940  
District Governor Mark Wheeler



#### Nauru

City - Yaren  
Rotary District 9600  
District Governor Wendy Protheroe

### BEYOND THE COMMONWEALTH



#### Hawaii

City - Honolulu  
Rotary District 5000  
District Governor Sandy Matsui

# Pipes & Drums - Roll of Honour

## PLAYING OF DIU REGNARE

(Written by Pipe Major Stuart Liddell, Glenfiddich Champion Piper)

McCallum Bagpipes are delighted to support The Queen's Platinum Jubilee Beacons and in particular, the playing of Diu Regnare kindly written for this historic occasion by Pipe Major Stuart Liddell. Such an important milestone in The Queen's reign is of immense importance.

We are also pleased to supply a unique set of McCallum's MacRae SL4 Bagpipes by Stuart Liddell, complete with bag and maintenance kit, fully inscribed, for the piper that undertakes the playing of this unique tune from the most unusual location, at 9.09pm local time in the country they are in on 2nd June next year, as part of this unique celebration.



### ENGLAND

Pipe Sergeant Ian Solesbury, City of Norwich Pipe Band – (Martham, Norfolk)  
Pipe Major Simon Cater, Great Yarmouth Pipers – (Gorleston-on-Sea, Great Yarmouth, Norfolk)  
Pipe Major Allen Clement, Greenhead – (Haltwhistle, Northumberland)  
Pipe Major Roger Bayes, City of Norwich Pipe Band  
City of Leeds Pipe Band – (City of Leeds, West Yorkshire)  
Pipe Major Andrew Neal  
Pipe Sergeant Mhairi Sellar  
Piper Alex Thomson  
Piper Bob Green  
Piper Danny Love  
Piper David Danks  
Piper George Anderson  
Piper Gordon Laycock  
Piper Jim Jack  
Piper Paula Howes  
Piper Richard Ashcrough  
Piper Robert Lawson  
Piper Robert Procter  
Piper Sam Westerman  
Drummer Lead Tip Billy MacDonald  
Drummer Amanda Liberty  
Drummer George Harrison  
Drummer Ian Turner

Piper Robert Procter,  
City of Leeds Pipe Band.



# Pipes & Drums - Roll of Honour

Drummer Stuart Richmond  
Drummer Thomas Gallagher  
Piper Joann Goddard (Essex)  
Piper Ken Beamer (St Helens, Merseyside)  
Piper Jacob Millin (Cromer, Norfolk)  
Piper Ian White (Willingdon & Jevington Parish Council, East Sussex)  
Piper Mungo Akerman (Brightling, East Sussex)  
Piper W Miller (Kingstone, Staffordshire)  
Piper Mike Mackay, No band (Inverurie, Aberdeenshire)  
Piper Gerard McDonald, Reading Scottish Pipe Band (Wokingham, Berkshire)  
Piper Stephen Beattie (Alsager, Cheshire)  
Piper Don Earl (St. Dennis, Cornwall)  
Piper Brian Ross (High Bickington, Devon)  
Piper Alex Drummond, Ringwood Pipe Band (Christchurch, Dorset)  
Piper Angus O'Donnell (Pocklington, East Yorkshire)  
Piper Gavin Davis, Pentland Caledonia (Currie, Edinburgh)  
Piper Andrew MacGregor, The Essex Bagpiper (Braintree, Essex)  
Piper Joanne Goddard (Bulphan, Essex)  
Piper Steve Law (Norwich, Norfolk)  
Piper Jacky Barnett (Pitstone, Buckinghamshire)  
Piper Corinne Thomson (Romsey, Hampshire)  
Piper Laura McEwan, Scots Guards Association (South). (Totland Bay, Isle of Wight)  
Piper Mark Baker, Liverpool Clan Wallace Pipe Band (Liverpool, Merseyside)  
Piper Graham Botcher, Glenmoriston Pipe Band (Attleborough, Norfolk)  
Piper Steve Law (Norfolk)  
Piper Hugh Gillies, North Yorkshire Fire and Rescue Pipe Band (West Tanfield, North Yorkshire)  
Piper Mark Harrison (Nuthall, Nottinghamshire)  
Piper Rod Caird (Henley, Suffolk)

## **Britannia Pipe Band** (Feldsted, Essex)

Piper Iain Geddes  
Piper James Geddes  
Piper Victoria Geddes  
Piper Janet Johnston  
Piper Kier Johnston  
Piper Lorna Johnston  
  
Piper Ian Anderson (Southend-on-Sea, Essex)  
Piper Ken Fitzpatrick (Dunston, Gateshead)

Piper Ed Arnold, Tameside and Glossop Integrated Care NHS Foundation Trust (Ashton-Under-Lyne, Greater Manchester)  
Piper Pauline Nash, Rose Fletcher Ladies Pipe Band (Moston, Manchester, Greater Manchester)  
Piper Bernadette Smith, St Andrews Pipe Band (Hamble, Hampshire)  
Piper David Smith (Horndean, Hampshire)  
Piper Finn Miller (Winchester or North Waltham, Hampshire)  
Piper Keith Wellings (Hope under Dinmore, Herefordshire)  
Piper George Carr, Harpenden Pipe Band & RAF Bruise Norton Pipes and Drums (Borehamwood, Hertfordshire)  
Piper Charles Mackie, Black Watch London (Dartford, Kent)  
Piper Ryan Guthrie, City of Preston Pipes and Drums (Lancaster, Lancashire)  
Piper Colin Murphy, Manchester Community Pipe NAND (Leigh, Lancashire)  
Piper Philip Da Silva, Piper ex Preston Pipes & Drums (Lytham St Annes, Lancashire)  
Piper Alan Webster (Preston, Lancashire)  
Piper Iain Cairn MacGillivray Sutherland (Whittington, Carnforth, Lancashire)  
Piper Sally Mason (Ancaster, Lincolnshire)  
Piper Peter Abbott, Grimsby and District Pipe Band (Grimsby, Lincolnshire)

## **The Great Yarmouth Pipers** (Gorleston, Norfolk)

Pipe Sergeant Tom Foster  
Pipe Corporal Adrian Nicholls  
Piper Stanley King  
  
Piper Jan Hawkins, The Highland Pipes and Drums Ensemble (Hingham, Norfolk)  
Piper John Innes (Stoke Holy Cross - Exact Location To Be Confirmed, Norfolk)  
Piper Aidan Hindley, Solo (Belton, Doncaster, North Lincolnshire)  
Piper John O'Boyle (New Holland, North Lincolnshire)  
Piper John Anderson (Weedon Bec, Northamptonshire)  
Piper William Patrick (Weedon Bec, Northamptonshire)  
Piper Gill Lyons, Alnwick Pipers Society (Alnwick, Northumberland)  
Piper Andrew Miller, Rothbury Highland Pipe Band (Rothbury, Northumberland)  
Piper Steven Purchase, Seaforth Highlanders Notts Branch (Mansfield, Nottinghamshire)  
Piper Kal Vaikla, Seaforth Highlanders Nottingham Branch (Mansfield Woodhouse, Nottinghamshire)  
Piper Stuart Gullen, Seaforth Highlanders Notts&Leicester Branches (Mansfield Woodhouse, Nottinghamshire)  
Piper John Roulstone (Nottingham, Nottinghamshire)  
Piper Vicki Kennerley, Wolverhampton Pipeband (Nottinghamshire)  
Piper Harry Gow, Oxford Pipe Band (Brightwell-cum-Sotwell, Oxfordshire)  
Piper Prof Alan F Harrison (Charlbury, Oxfordshire)

# Pipes & Drums - Roll of Honour

Piper William Mackenzie Smith, Reading Scottish Pipe Band (Oxford, Oxfordshire)  
Piper Angus Whitfield, Oxford Caledonian Pipe Band (tbc, Oxfordshire)  
Piper Casper Whitfield, Abingdon School (tbc, Oxfordshire)  
Piper Tony Hurst, The Wiltshire Piper (Uffington, Oxfordshire)  
Piper James Buchanan (Belton in Rutland, Rutland)  
Piper Jim Stanley, Harbour Pipes and Drums (Hedge End, Southampton)  
Piper Graham Prebble, RAF Pipes & Drums (TBC, TBC)  
Piper Alan Robinson (Newcastle upon Tyne, Tyne and Wear)  
Piper Alex Brennan, 102 R.E.M.E. Battalion Pipes and Drums. (Whitley Bay, Tyne and Wear)  
Piper Peter Lambert, City of Bradford Pipe Band (Rawdon, Leeds, West Yorkshire)  
Piper Dave Surtees (Chilmark, Wiltshire)  
Piper Ian Mitchell (Thornton Bradford, Yorkshire)  
Piper Jaqueline Mitchell (Thornton Bradford, Yorkshire)  
Piper Brian McGivenor (Town Square, Shefford, Bedfordshire)  
Piper Ivan Brooks – (Hartlip Village Hall, Hartlip, Kent)  
Piper Tricia Drawbridge – (Sudbury Town Piper, Sudbury, Suffolk)  
Piper Robert Wilson – Samlesbury Memorial Hall, Preston)  
Piper James Meiklejohn (Siston, Gloucestershire)  
Piper Ivan Hubbard (Bassingbourn-Cum-Kneesworth, Cambridgeshire)  
Piper Bill McKay (Urmston, Manchester)  
Piper Ray Russell (Theftord and Hockwold cum Wilton, Norfolk)  
Piper Sue Ribson (Brightwell-cum-Sotwell, Oxfordshire)  
Piper Tricia Drawbridge, Sudbury Town Piper (Sudbury, Suffolk)  
Piper Roland Lawson (Carlisle, Cumbria)  
Piper Ivan Brooks, Hartlip Parish Council (Hartlip, Kent)

## **Kernow Pipes and Drums**

Pipe Major Nigel Warmington  
Piper Adam Bowkett  
Piper Matthew Campbell  
Piper John Christophers  
Piper Alex Dryden  
Piper Craig Davidson  
Piper Allan Downie  
Piper Keith Garner  
Piper Mike Heaslip  
Piper Felicity Hood  
Piper David Hutchison  
Piper Don Lewis  
Piper David Maitland

Piper Alec McColl  
Piper Ali Robinsor  
Piper Emma Stringer  
Drummer Steve Dowley – Lead Tip  
Drummer Henry Bowkett  
Drummer Matthew Bennetts  
Drummer Vic Coop  
Drummer Kelvyn Cruddace  
Drummer Anita Nall  
Drummer Chris Nixon  
Drummer Sue Robertson  
Drummer Shoalie Taylor  
Drummer Ed Watson

## **Northumbrian Pipers**

Northumbrian Piper Andrew Davison OBE – Chairman, Northumbrian Pipers' Society – (Hexham, Northumberland)  
Northumbrian Piper Tom Fairfax – (Mindrum, Northumberland)  
Northumbrian Piper Freddie Fairfax – (Uppingham, Rutland)  
Northumbrian Piper Dr Gill Jennifer Lyons – (Alnwick, Northumberland)  
Northumbrian Piper – Philippa Sinclair  
Northumbrian Piper Anne Ramsay – (Heaton, Newcastle upon Tyne)  
Northumbrian Piper David Stych – (Kirby Misperton, North Yorkshire)  
Northumbrian Piper Helen Capes – (President, New Zealand Northumbrian Pipers Society)  
Northumbrian Piper Moira Hague – (Macclesfield, Cheshire)

## **Clanaulder-Clayton Pipers** (Clayton, Bradford, West Yorkshire)

Piper John Balderson  
Piper Keith Davey  
Piper Ian Derick  
Piper Ken Oldfield

# Pipes & Drums - Roll of Honour



## SCOTLAND

Pipe Major Stuart Liddell, Inveraray & District Pipe Band – (Inveraray, Argyll and Bute)  
Ross Ainslie – (Glasgow)  
Pipe Sergeant Gordon Casely, Banchory Pipe Band –  
(Nine Stanes Stone Circle, Banchory, Kincardineshire)  
Piper Martin Johnstone, Piper to the Braemar Royal Highland Piping Society – (Princess Royal  
Duke of Fife Memorial, Braemar, Aberdeenshire)  
Piper Peter Wood – (Sandwick, Shetland Islands)  
Piper William McCallum – Bearsden, East Dunbartonshire – (Cambeltown, Argyll & Bute)  
Pipe Major Ben Duncan – Royal Scots Dragoon Guards Pipes and Drums  
Pipers Stuart McCallum & Piper Kennie MacLeod – McCallum Bagpipes (Kilmarnock, East Ayrshire)  
Piper Archie Cowie, 9 years old – Banchory Pipe Band (From the summit of Bennachie, Aberdeenshire)  
Delgatie Castle Pipers (Delgatie Castle, Turriff, Aberdeenshire)  
Pipe Major Lady Jane MacRae  
Drum Major Alexander Aitken  
Pipe Sergeant Stuart Thomson  
Piper James Mason  
Piper Richard Learmouth  
Piper Andrew MacKenzie  
Piper Joan Johnson  
Piper Melenie Horridge  
Piper Chris Horridge

### **Gordonstoun Pipe Band - Moray**

Pipers Jacqueline Gibson  
Piper Brooklyn Morris

Piper Michael MacLugash (Alford, Aberdeenshire)  
Piper Pamela Rotheroe-Hay, Ballater and District Pipe Band (Balmoral, Aberdeenshire)  
Piper Donald Downie (West Mains of Ethie, Angus)  
Piper Scott Wilson, Dunoon Argyll PipeBand (Dunoon, Argyll)  
Piper Duncan MacLeod, Dunoon Argyll Pipe Band (Sandbank,, Argyll)  
Piper Andrew (Drew) Crockett, Playing solo (current member of Helensburgh CC Pipe Band and  
formerly the Argyll & Sutherland Highlanders Pipe Band) (CARDROSS, Argyll & Bute)  
Piper John Bissett (Barrhill, Ayrshire)  
Piper John Stewart (Irvine, Ayrshire)

Piper Grant Angus (Crovie, Banff)  
Piper John Duthie, Glasgow Highland Club (Glasgow, City of Glasgow)  
Piper Alexander Brodie (Dundee, Dundee)  
Piper Gavin Halliday (Glasgow, East Dunbartonshire)  
Piper Flynn Porter (Lenzie, East Dunbartonshire)  
Piper John McIntyre, Dunfermline & District (RBL Scot) Pipe Band (DUNFERMLINE, Fife)  
Piper Brooklyn Morris, Burntisland & District Pipe Band (Hillend, Fife)  
Piper Paul Hendry, Unattached (Rosyth , Dunfermline, Fife)  
Piper Tabby Angier (Drumnadrochit, Highlands)  
Piper Gavin Robertson, Solo Inverness British Legion Ps & Ds (Inverness, Inverness-shire)  
Piper William Shaw, Last of the Summer Wine Pipers (Glasgow, Lanarkshire)  
Piper Calum Macleod, Lothian and Border Pipe and Drums (Danderhall, Midlothian)  
Piper Richard Montgomery, Glencorse pipe band (Mayfield, Midlothian)  
Piper Alan Harrison, Comrie Pipe Band (Comrie, Crieff, Perth & Kinross)  
Piper Stuart Letford (Dunkeld, Perth & Kinross)  
Piper Diarmid Mackenzie Smith (Methven, Perthshire)  
Piper Jonathan Stranix, City of Inverness (Ullapool, Ross and Cromarty)  
Piper Andrew Wallace, Strathendrick Pipe Band (Strathblane, Stirlingshire)  
Piper Major Scott Methven, Former Queen's Piper (Thornhill, Stirlingshire)  
Piper Lorna Doig (Dundee, Tayside)  
Piper Martin Doig (Dundee, Tayside)  
Piper Mark Morrison (Dumbarton, West Dunbartonshire)  
Piper John Johnstone (Legion Hall, Wilkieston, Kirknewton, West Lothian)  
Piper Ross Colquhoun, Uphall Station Pipe Band (Uphall Station, West Lothian)  
Piper Gordon McCready (Renfrew, West Renfrewshire)  
Piper John Paton – (Rutherglen West and Wardlawhill Parish Church - Lanarkshire)  
Piper Gerry Swan (Perth, Perthshire)  
Piper Lynzie Mack (Top of Dumyal Hill, Menstrie Clackmannanshire)

### **Banchory and District Pipes and Drums** (Banchory, Aberdeenshire)

Pipe Major Andy Cowie  
Piper George Alne  
Piper Stuart Archer  
Piper Don Black  
Piper Harry Chalmers  
Piper Freya Coughlin  
Piper Ronny Coughlin  
Piper Gordon Cruikshank  
Piper Karina Dublowski  
Piper Renzo Girardi

# Pipes & Drums - Roll of Honour

Piper Jack Hardy  
Piper Kieran Hopkins  
Piper Kevin Jappy  
Piper Jack Lawrence  
Piper Jeff Lawrie  
Piper Tom Lawrie  
Piper Mike Mecham  
Piper Nicky Morrisey  
Piper Brian Morrison  
Piper John Murray  
Piper Dan Pewter  
Piper George Pierce  
Piper Ed Richmond  
Piper Lynette Ross  
Piper Michael Sawston  
Piper Daisy Shaju  
Piper Neil Shaju  
Piper Lee Taylor  
Piper Stewart Thompson  
Drummer Anna Aitken  
Drummer Patrick Bridges  
Drummer Bryan Crighton  
Drummer Neil Ferguson  
Drummer Alison Geddes  
Drummer Alec Hunter  
Drummer Ian Mullen  
Drummer Ross Munro  
Drummer Bill O'Shea  
Drummer Tony Sinclair  
Drummer Chris Stockdale  
Drummer Gordy Thompson

Pipe Major Ian Stuart, Huntly and District Pipeband (Huntly, Aberdeenshire)  
Piper Raymond Munro, Solo Piper (Inverurie, Aberdeenshire)  
Piper Drew McLellan, Kintyre Schools Pipe Band (Campbeltown, Argyll and Bute)  
Piper Graeme Ross, Solo (Alloa, Clackmannanshire)  
Piper James White, Dfs woodworks (Dumfries, Dumfries and Galloway)  
Piper Ronnie Dinsmor (Baillieston, Glasgow)  
Piper Duncan Lamont, HM Forces - Royal Corps of Signals (St Fillans, Crief, Perthshire)  
Piper Greg Stewart, Strathendrick Pipe Band (Strathblane, Stirlingshire)

Pipe Major Mark Black, Royal Corps of Signals Pipes and Drums  
Pipe Major Alan Mackenzie, Isle of Skye Pipe Band (Portree, Isle of Skye)  
Piper Lewis Kinnell, Boghall and Bathgate Caledonia Pipe Band (Eliburn Livingston, West Lothian)  
Piper Fiona Caldwell (Hopeman, Moray)  
Piper Scott Manson (Ayr, Ayrshire)



## WALES

Pipe Major David Clement QPM, Pipes & Drums of the Tyneside Scottish TA Band – (Gowerton, South Wales)  
Piper Sean Slater (Olmarch, Ceredigion)  
Piper Graham Phillips (Pembroke Dock Town Council, Pembrokeshire, Wales)  
Piper Graham Phillips, Pembroke Dock Town Council (Pembroke Dock, Pembrokeshire)



## NORTHERN IRELAND

Pipe Major Richard Parkes MBE, Field Marshall Montgomery Pipe Band  
Piper Kristian Hanna, Pipes and Drums of the Police Service of Northern Ireland (Ballymena, Antrim)  
Piper Grahame Harris, Campbell College Pipes and Drums (Belfast, County Antrim)  
Piper Andrew Mcilwaine, Tullylagan Pipe Band (Magheramason, Londonderry)



## ISLE OF MAN

Piper Vladimir Stefanov, Vlad the Piper (St. Johns, Isle of Man)  
Piper Paul Davenport, Skirl Pipers (Isle of Man)



## JERSEY

Piper Gregor Allan, Jersey Pipe Band (St. John's Village, Jersey)

# Pipes & Drums - Roll of Honour



## AUSTRALIA

Pipe Major Alisdair McLaren, West Australian Police Force – (Perth)  
Pipe Major Matt Fraser, Hawthorn Pipe Band – (Melbourne)  
Piper Laura Johnstone, Inveraray & District Pipe Band – Sydney  
Australian Federal Police Pipes & Drums (Canberra, Australia)  
Pipe Major Spewen Ladd  
Pipe Sergeant Nicole Koenig  
Pipe Corporal Michael Challen  
Drum Major Steven Terrance  
Drum Sergeant Michelle Hecker  
+ (12-16 Pipers & 6-8 Drummers)

Piper Alister Smith, Maclean & District Pipe Band (Maclean, New South Wales)  
Piper Geoffrey Kinchin, Rainbow Celtic Folk (Taree, New South Wales)  
Piper Mark Gerber (West Pennant Hills, New South Wales)  
Piper Kane Johnston, Gladstone Thistle Pipe Band (Biloela, Queensland)  
Piper Charlie Elliott (Brisbane, Queensland)  
Piper Pete Murray (Caloundra, Sunshine Coast, Queensland)  
Piper Barry Baldwin (Maroochydore, Queensland)  
Piper David Moody, Ormiston Heritage Pipes and Drums (Scarborough, Queensland)  
Piper Ian Reid, RSL Memorial Pipes & Drums Townsville (Townsville, Queensland)  
Piper Don Ormiston, Ambulance Victoria pipes and drums (Melton, Victoria)  
Piper Alistair MacCallum, Sale RSL Pipe Band (Sale Victoria, Victoria)  
Piper Darral Wilkie (Hillside Garden Village, Mount Richon, Western Australia)  
Piper Andrew Head (Winthrop, Western Australia)  
Piper Cameron Bell, Professional Bagpipe Services - Australia (Malva Bay, New South Wales)  
Piper James Black (Brisbane, Queensland)  
Captain Lionel Boxer, 5/6 RVR Pipes and Drums (South Melbourne, Victoria)



## AUSTRIA

Piper Stefan Kühnel (Grödig, Salzburg)





# Pipes & Drums - Roll of Honour



## **BELGIUM**

Piper Rudi Driesen, Clan Hay Pipe Band (Stabroek, Antwerpen)



## **BRAZIL**

### **Brasil Caledonia Pipe Band**

Piper Pedro Arthur Suave, (Monte Verde, Minas Gerais)

Piper Cristiano Bicudo (Campos do Jordão, São Paulo)



## **BULGARIA**

Piper Susan Nicholson (My village in Bulgaria)

Pipe Major John MacKenzie, 72nd Highlanders Sofronievo (Sofronievo, Vratsa)



## **CANADA**

Pipe Sergeant Jack Lee of Simon Fraser University Pipe Band – (British Columbia)

Piper Bruce Gandy, 78th Highlanders Halifax Citadel Pipe Band – (Dartmouth, Nova Scotia)

Ottawa Caledonian Pipes & Drums (Ottawa)

Pipe Major Robert McCarthy

Pipe Sergeant Jamie Letourneau

Piper Alysha Desrochers

Piper Thomas Rozon

Piper Ian Wyllie

Piper Sophia Oueja

Piper Noah Grew

Piper Marie-Helene Briere

Piper Giulia Calvano

Piper Zoe Gracovetsky

Piper Derek Haines

Piper Noah Yateman

Piper Kevin Murison

Piper Maia Gracovetzky

Piper Emily Dessureau

Piper Olivier Corbeil

Piper Felix Mongeon

Piper Alex Schnupp

Piper Chris Howard

Piper Justin Berube

Drum Major Darryl Lim

Drum Sergeant/Lead Drummer Allan McCarthy

Drummer Cameron Aldous

Drummer Francis Mcardle

Drummer Ray Desrochers

Drummer Marc Rozon

Drummer Dominique Moreau

Drummer Nate Mears

Drummer Owen Yateman

Drummer Connor Casey

Drummer Felicity Borgal

Drummer Sofia Calvano

Drummer Jean-Marc Schnupp

Drummer Jonathan French

Drummer Paul Fohr

Drummer Oceanne Gracovetsky

### **Royal Canadian Legion 63 Pipes and Drums Band**

Pipe Major Brad Fenty

Piper Ron McDougall

Piper Max Redekop

Piper Glen Douglas

Piper Luke Douglas

Piper Murray Taylor

Piper Paige Knisley

Piper Adam Greuel

Piper Grayson Ross

Piper Zoe Gustafson Klassen

Piper Callie Wilk

# Pipes & Drums - Roll of Honour

Piper Alan Cole  
Drummer Aaron Vopni  
Drummer Bob Kenny  
Drummer Colin Phippard  
Drummer Wayne Briant  
Drummer Mitch Bone  
Drummer Dan Knisley  
Drummer Amber Cole  
Drummer Ken Martin  
Drummer Jayna Munson  
Drummer Olivia Guselle  
Drummer Katrina Walls  
Drummer Dean Mallany

## **Prince Albert Highlanders Pipes & Drums** (Ottawa)

Pipe Major Dave Monette  
Pipe Sergeant Michael McLaughlan  
Piper Garry Greenshields  
Piper Kim Bradley  
Piper Dave Hjertaas  
Drum Major Derek Sinclair  
Drummer Kim Page  
Drummer Roger Page

Piper Ewan Ferrier, Calgary & District Pipe Band Society (City of Calgary, Alberta)  
Piper Jessie Hendrigan (Drayton Valley, Alberta)

Piper James Haslip, Damh Cabrach Piping (Edmonton, Alberta)

Piper Hon. Timothy Ray (Comox Valley, British Columbia)

Piper Gordon MacRae, BCPA (Maple Ridge, British Columbia)

Piper Stephen Kelly, 443 Squadron RCAF (Victoria, British Columbia)

Piper Craig Wight, RCMP Pipes and Drums New Brunswick (Moncton, New Brunswick)

Piper Frank Anderson (Kingston, Nova Scotia)

Piper Rory MacKinnon, Clans of Tecumseth (Alliston, Ontario)

Piper Matthew Wilson, 163 pipes and drums Hamilton (Ancaster, Ontario)

Piper John O hara, Air Force City Pipe Band (Cobourg, Ontario)

Piper Ken Maher, Beinn Gorm Highlanders (Collingwood, Ontario)

Piper Celia Carrothers, Forest Legion Pipe Band (Forest, Ontario)

Piper Lynda Mackay, Strathnaver (Hamilton, Ontario)

Piper Douglas Green, With PWOR Pipes and Drums or as an Individual Piper (Kingston, Ontario)

Piper Doug Vince, Be.642 Legion Chatham Pipes & Drums (Louisville, Kent County, Ontario)

Piper Robert Sanders, North Bay Pipes and Drums (North Bay, Ontario)  
Piper Graham Stark, Mariposa Pipes and Drums (Orillia, Ontario)

## **Sons of Scotland Pipe Band**

Piper Graham Strachan, Sons of Scotland (Ottawa, Ontario)

Piper Bethany Bisailion, Sons of Scotland PB (Ottawa, Ontario)

Piper Brad Hampson, RCMP Pipes & Drums, National Division (Ottawa, Ontario)  
Piper Christopher MacDougald, Pipes and drums of Canada/ McLarens Pipes and Drums  
Warton Ont. (Shallow Lake, Ontario)

Piper Susan Ross (Stirling, Ontario)

Piper Alan Morley (Sudbury, Ontario)

Piper Joanne Robilliard, London City Pipes and Drums (Thorndale, Ontario)

Piper Scott McNeil, Ontario Correctional Services (Tiny, Ontario)

Piper Lachlann Bisailion, Royal Canadian Mounted Police C Division (Montreal, Quebec)

Piper David Mclean, Grande Prairie Pipes and Drums (Grande Prairie, Alberta)

## **Bridge City Highlanders Pipes and Drums** (Lethbridge, Alberta)

Piper Colin McNiven

Piper Bruce Mason

Piper James Johnston (St Albert, Alberta)

Piper John Alexander (Coombs, British Columbia)

Piper Beverly Perron (Notre-Dame-De-La-Salette, Qubec)

Piper Matt Plant, Callander Legion Pipe Band (Callander, Ontario)



## **FRANCE**

Piper Michel Bellebon de La Tibouvais (Quédillac, Brittany)

Piper Jean Lhuillery (Beaumontois en Périgord, Dordogne)

Piper Francois Gay, Askol Ha Brug Pipe Band (la Chapelle-sur-Erdre, Loire-Atlantique)

Piper Anne Lore, Bagad Saint-Nazaire (St Nazaire, Pays de la Loire)

# Pipes & Drums - Roll of Honour



**GERMANY**  
**Bavaria, Forcheim**  
**Glen Regnitz Pipe Band**  
Pipe Major Horst Blank

Regimental Pipe Major Dominic Murphy (RTD)

Piper Wolfgang Baron  
Piper Micheala Bezold  
Piper Dirk Brix  
Piper Sascha Bruck  
Piper Gudrun Einwich  
Piper Detlef Purucker  
Piper Ron Rockholt  
Piper Dieter Roesner  
Piper Jim Shaffar  
Piper Michael Vogt  
Piper Olaf Wolter

Drummer Astrid Ebenau-Eggers  
Drummer Andrea Koschig  
Drummer Thomas Meier  
Drummer Elysabeth Murphy  
Drummer Jutta Rösner

Pipe Sergeant Dominic Murphy, The Glen Regnitz Pipeband (Nurnberg, Bavaria)

Piper Petra Lage (BREMERHAVEN, Northern Germany)  
Piper Sean Kerr (Liesenich, Rheinland-pfalz)  
Piper Christine Hanisch (Troisdorf, Rhein-Sieg-Kreis)



Glen Regnitz Pipe Band, Germany.



**HAWAII**  
**Celtic Pipes & Drums of Hawaii**

Pipe Major Larry Coleman. Pipe Major Dan Quinn.  
Pipe Sergeant Tina Yap. Pipe Corporal Patrick Roberts.  
Piper Lola Colombe. Piper Chuck Jamison.  
Piper Greg Kim. Piper Joe Kindrich.  
Piper Anne Kwiatkowski. Piper Howard Lavy.  
Piper Jodi Matsuura Eaves. Piper Alan Miyamura.  
Piper Hardy Spoehr. Piper Frank Talamantes.  
Piper Karen Thompson. Piper Scott Walton.  
Piper Pomaikai Wee. Piper Masa Yamaguchi.  
Piper & Trumpetor Warren Cone.  
Drum Major Joe Miller. Drum Sergeant Tracy Burnham.  
Drummer Matthew Bauer. Drummer Lisa Gomes.  
Drummer Elizabeth MacNeill. Drummer Kristen McNab.  
Drummer Primasita Menor. Drummer Alf Schneider.



**HONG KONG**  
Piper Fred Kew (Hong Kong)

# Pipes & Drums - Roll of Honour



## **MALAYSIA**

Piper Alisdair MacRae, Kuala Lumpur Pipe Band – (Kuala Lumpur)



## **MALTA**

Piper Gill Cairns (Tal-Pietà, Valletta)



## **MEXICO**

Piper Diego Barquet (Mexico City)



## **NETHERLANDS**

Piper Gerrit Krist, Clan Hay Pipe Band ('s-Heerenhoek, Zeeland)



## **NEW ZEALAND**

Pipe Major Alasdair MacKenzie, City of Invercargill Highland Pipe Band – Invercargill)

Piper Matt Fraser – (Auckland)

Piper Terrence Smith, Royal New Zealand Navy Pipes And Drums (Auckland, Auckland)

Piper Kerry Marshall, Napier Pipe Band (Napier, Hawke's Bay).

Piper Dylan Jones, Kapiti Coast Pipes and Drums (Waikanae, Kapiti Coast)

Piper Sally Craik (Dunedin, Otago)

Piper Bryan Mitchell, Cambridge & Districts Pipe Band (Cambridge, Waipa District)

Piper Alice Robinson (Lower Hutt, Wellington)

Piper Helen Capes, New Zealand Northumbrian Pipers Society (Maraekakaho, Hawkes Bay)

Piper David Barnard, City of Wellington Pipe Band (Wellington)

**Wairarapa Fern and Thistle Pipe Band** (Masterton, Wellington)

Piper Ian Macdonald, Piper Hunter Nielsen



## **NIGERIA**

Piper Chukwu Oba, Scottishpower Pipe Band Nigeria, Bagpipe Music society of Nigeria (Karu LGA, Abuja)



## **PARAGUAY**

Piper Renaud Olgiati (Asunción)



## **PERU**

Piper Alfonso Vignes-Eguren, City of Arequipa Pipe Band (Arequipa)



## **SOUTH AFRICA**

### **Autshumato Anti-Aircraft Regiment Pipes & Drums**

Pipe Major Tony Reis. Pipe Sergeant Mogamat Opperman

Piper Terence Hutton. Piper Michael Leighton. Piper Emlyn Madziwa. Piper Emily Craven

Piper Kuhle Mankayi. Piper Luke Marais. Piper Neil Horn. Piper Anton van der Poel

Piper Wayne Mitchell. Piper James Mitchell

Drummers: Thabiso Teesow, Lesley Reis, Zhaheed Smith, Melanie Tafila, Mivuyo Khete,

Mihlali Nguzo, Maajidah Opperman, Theo Caesar, Eugene Trofimczyk,

Brogan Reis, John Van Niekerk, Ronnie Masenda

Piper Alan Munro, Scottish Piping Society of South Africa (San Sereno Retirement Village, Johannesburg)

Piper Capt. Will Carter JCD KLJ (Cape Town, Western Cape)

Piper Mark Anthony Wilson, Cape Town Highlanders (Cape Town, Western Cape)

Piper Lucas Visagie (Paarl, Western Cape)

Piper Paul Louw, African Skye Pipe Band (Johannesburg, Gauteng)

# Pipes & Drums - Roll of Honour

Pipe Major Tony Reis said, "The Autshumato Anti-Aircraft Regiment Pipes & Drums will be extremely proud to be performing Diu Regnare from the top of Table Mountain, Cape Town, South Africa, as our tribute to Her Majesty The Queen, in recognition of her 70 years of selfless dedication to the Commonwealth."



Autshumato Anti-Aircraft Regiment Pipes & Drums, South Africa. Photograph by Tyler Williams.

# Pipes & Drums - Roll of Honour



## SWITZERLAND

Piper Damien Bell, Scotch Watch Pipes & Drums (Seelikon Bade, Zug)



## THAILAND

Piper Keith Walker, The British Club Bangkok Pipe Band (Bangkok)



## UNITED STATES OF AMERICA

Piper Jeff Simmons, Contractor (Tucson, Arizona)

Piper Tammy Simmons (Tucson, Arizona)

Piper Jason Gunn, Universal Bagpipes (St Joe, Arkansas)

## **Palm Springs Air Museum Pipe Band** (Palm Springs, California)

Pipe Major Robert Heggie

Pipe Sergeant Shaun Griffith

Piper Graham Bailey

Piper Len Box

Piper Joe Branston

Piper Daniel Butchard

Piper Harold Butchard

Piper Rod Cribbes

Piper Joel Daniel

Piper Mike Fitak

Piper Jeff Geraci

Piper Jack Grant

Piper Colin Grinstead

Piper Jim MacKenzie

Piper Don MacPherson

Piper Jim McKnight

Piper Jon McLennan

Piper Mel Miller

Piper Bill Partridge  
Piper John Ralston  
Piper Tom Skinner  
Piper Maureen (Mo) Soichuk  
Piper Bill Tracey  
Piper Ken Wright  
Piper Richard Young  
Drum Major Pierre McIntyre  
Drum Sergeant Malcolm Willis  
Drummer Thad Ball  
Drummer Christi Bennett  
Drummer Fabian Hurtado  
Drummer Rusty King  
Drummer Lavon Marie  
Drummer Pamela McIntyre  
Drummer Toner Nailen  
Drummer Tony Parise  
Drummer Marty Stacksteder  
Drummer Trevor Uprichard

Piper Dr. Gary Dickey (Westlake Village, Ventura County, California)  
Piper Kenneth Feighner, Colorado Irish Pipe Band (Berthoud, Colorado)

## **Saint Andrew's Pipe Band of Miami** (Miami, Florida)

Piper Nigel MacDonald  
Piper Barbara Wach

Piper Michael Vazzana, McGuire's Irish Pub Pipe Band (Pensacola Beach, Florida)  
Piper Richard Smith, Appalachian Saint Andrew's Pipes and Drums (Blairsville, Georgia)  
Piper Dennis Duncan, Marietta Piper (Marietta, Georgia)  
Piper Major Kim Greeley, Celtic Kula Pipe Band of Hawai'i (Honolulu, Hawai'i)  
Piper Jack Lewis, Danville Pipe Band (now defunct) (Mount Vernon, Kentucky)  
Piper David Cormalleth, ChicagoBagpiper.com//Bagpipers of the World United (Lake Forest, Lake County, Illinois)  
Piper Rob Haskell (Peabody, Massachusetts)  
Piper Frederick Benda, Springfield Kiltie Pipe Band, Springfield Massachusetts, United States (Westfield, Massachusetts)  
Piper Dana Deweese, Solo (Jefferson City, Missouri)  
Piper Brian J. Gibney (Bridgewater, New Jersey)  
Piper Sara Hufford, Order of the Thistle Pipe Band (Santa Fe, New Mexico)

# Pipes & Drums - Roll of Honour

Piper Kathleen Wright (North Kingsville, Ohio)  
Piper Scott McKinley, Oklahoma State University Pipes and Drums (Stillwater, Oklahoma)  
Piper Michael Hubbard, Clan Macleay Pipe Band (Salem, Oregon)  
Piper Jean Lickun (Lords Valley, Pike County, Pennsylvania)  
Piper Edwin Gonzalez, VMHG Piper (Sumner, Pierce Washington state)  
Piper Molly Navarro-Skinner, The Jefferson Pipe Band (Redding, Shasta County, CA)  
Piper Matthew Reeder, City of Chattanooga Pipe Band (Chattanooga, Tennessee)  
Piper Kelly Shipe, A HARP AND BAGPIPE FOR ALL OCCASIONS (Gatlinburg, Tennessee)  
Piper Laurence Ching, Houston Highlanders Pipes and Drums (Alvin, Texas)  
Piper Adam Wilcox (Amarillo, Texas)  
Piper Matt Willis, Metroplex United Pipe Band (Carrollton, Texas)  
Piper Charlie Nevegold, Sherman Fire-Rescue Pipe Band (Ector, Texas)  
Piper Colleen Steblein, North Texas Caledonian Pipes and Drums (Ft. Worth, Texas)  
Piper Brenton Scharbor, Allegro Pearland Academy of Music (Pearland, Texas)  
Piper Paul Watson (Tyler, Texas)  
Piper Hunter Nichols (Whitewright, Texas)  
Piper Chris Dries (Mt. Pleasant, Utah)  
Piper Anne L Storms (Salt Lake City, Utah)  
Piper Alan Erdmann, Salt Lake Scots (Springville, Utah)  
Piper Victoria MacKenzie, Fort Vancouver Pipe Band (Vancouver, Washington)  
Piper Michael Grest, Atlanta Pipe Band (Auburn, Georgia)  
Piper Colin Gavin, Firefighters Highland Guard of Naperville (Naperville, IL)  
Piper Douglas Walton (Marquette, Michigan)  
Piper Tyler Johnson, Wasatch and District Pipe Band (Kaysville, Utah)  
Piper Tim Riddle (Edgewood, WA)  
Piper Robert J McFarland DDS (City of Boise, Ada County, State of Idaho)  
Piper Bob McFarland, Northumbrian Small Pipes (Boise, Idaho)



## ZIMBABWE

Piper Callum Smith, St Johns College Pipe Band (Harare)

*(more acknowledgements to follow)*

# Town Criers - Roll of Honour

Chelsea Pensioner Roy Palmer will undertake the Proclamation at the Royal Hospital Chelsea.



Photograph by kind permission of Liam Best, Marketing & Communications Manager, Royal Hospital Chelsea.

## **PROCLAMATION BY TOWN CRIERS (Written by Jane L. Smith, Town Crier for Bognor Regis)**



### **ENGLAND**

- Alan Austin - Town Crier (Attleborough, Norfolk)
- Andrew Cunningham-Brown – Town Crier (Sherringham, Norfolk)
- Nigel Wilkin – Town Crier (Swaffam, Norfolk)
- Jason Bell – Town Crier (Holt, Norfolk)
- Bob Lloyd – Town Crier (City of Norwich)
- Brenda Wilson – Town Crier (Newmarket, Suffolk)
- Peter Taunton – Town Crier (Newport & Stafford, Shropshire)
- Jane L Smith – Town Crier (Bognor Regis, West Sussex)
- Marion Lowe – Town Crier (Shipston on Stour, Warwickshire)
- Paul Goring – Town Crier & Town Seargent (Rye, East Sussex)
- Jon Borthwick – Town Crier (Peacehaven & Lewes, East Sussex)
- Jackie Edwards – Town Crier (Kingsteignton, Devon)
- Len Sweales – Town Crier (Wells, Somerset)
- Ken Brightwell – Town Crier (Cheltenham, Gloucestershire)
- Mike Dale – Town Crier (Lenham, Kent)
- Brian Slyvester – Town Crier (Newbury, Berkshire)
- Terry Hamer – Town Crier (Romsey, Hampshire)
- Richard Smith BEM – Town Crier (Beaconsfield, Buckinghamshire)
- Mike Wabe – Town Crier (Watton, Norfolk)
- David Green – Deputy Town Crier (Plymouth and Mayflower Resurgam, Devon)
- David Birdsall – Town Crier (Scarborough, North Yorkshire)
- David Hinde – Town Crier (Helmsley, North Yorkshire)
- Robert Speight – Town Crier (Pershore, Worcestershire)
- Stephen Day – Town Crier (Kidderminster, Worcestershire)
- Michael Wood – Town Crier & three times World Champion (East Riding of Yorkshire)
- Les Long – Town Crier (Henley-in-Arden, Warwickshire)
- John Collingwood – Town Crier (Bridport, Dorset)
- Chris Smirthwaite – Town Crier (Liskeard, Cornwall)
- Jon Bartholomew – Town Crier (Hastings, East Sussex)
- David Bull – Town Crier (Filey, North Yorkshire)
- Christopher Morgan – Town Crier (Leighton & Linslade, Bedfordshire)
- Alistair Chisholm – Town Crier (Dorchester, Dorset)
- Avril Hayter-Smith – Town Crier and Consort Graham Hayter-Smith (City of Ely, Cambridgeshire)
- Peter Stemmer BEM – Town Crier of and Ambassador for (Darlington, County Durham)
- Harry Turburville – Junior Town Crier (Thetford, Norfolk)



# Town Criers - Roll of Honour

Michael Bluemel – Deputy Town Crier (Rye, East Sussex)  
Paul Gough – Town Crier and Reining British Champion TC (Nuneaton & Bedworth, Warwickshire)  
Terry Williams – Town Crier (Bodmin, Cornwall)  
Carole Williams – Town Crier (Bishops Stortford, Hertfordshire)  
Steve O'Dare – Town Crier (Skegness, Lincolnshire)  
Chris Brown – Town Mayor's Sergeant & Town Crier of (Wimborne Minster & Colehill, Dorset)  
Cris Brown – Town Crier (Royal Borough of Windsor & Maidenhead, Berkshire)  
Andrew Stopka – Town Crier (Fairford, Gloucestershire)  
Nigel Scott – Town Crier (Axbridge, Somerset)  
Jacquie Hall – Town Crier (Wareham, Dorset)  
Trevor P Heeks – Town Crier & Freeman (Trowbridge, Wiltshire)  
Dave Parsons – Town Crier (Alton, Hampshire)  
Jim Weeks – Town Crier (Bideford, Devon)  
Mike Billingham – Town Crier (Medway, Kent)  
John Lawrence – Town Crier (Cirencester, Gloucestershire)  
John Scholey FICE – Town Crier (Royal Tunbridge Wells & Westerham, Kent)  
Ray Wales – Town Crier (Downham Market, Norfolk)  
Bill Lomas – Town Crier (Leek, Staffordshire)  
Angela Standing – Town Crier (Arundel, West Sussex)  
Bob Smytherman – Town Crier (Worthing, West Sussex)  
Barry McQueen – Town Crier (Blackpool, Lancashire)  
Barry Heap – Town Crier (Richmond, North Yorkshire)  
Kevin Reid Griffiths – Town Crier (Skipton, North Yorkshire)  
Rawden Kerr – Town Crier (Great Harwood, Lancashire)  
Robert Needham BA – Town Crier (Colchester, Essex)  
Martin Wood – Town Crier (Shrewsbury, Shropshire)  
Les Cutts – Town Crier (Halifax, West Yorkshire)  
George Carpenter – Town Crier (Wotton under Edge, Gloucestershire)  
Terry Ford – Town Crier (Otley, West Yorkshire)  
Mike Andrews – Town Crier (Ferndown, Dorset)  
Chris Brown – Town Mayor's Dergeant & Town Crier (Wimborne Minster & Colehill, Dorset)  
John Hadfield – Town Crier (Westbury, Wiltshire)  
Majorie Dodds – Town Crier (Chester-le-Street, County Durham)  
Roger Hewitt – Town Crier (Knaresborough, North Yorkshire)  
Vic Watson – Town Crier (Huddersfield, West Yorkshire)  
Lionel Knight – Town Crier (Truro, Cornwall)  
Don Evans – Town Crier (Ormskirk, West Lancashire)  
Geoffrey Russell – Town Crier (Market Drayton, Shropshire)  
Charles Morgan – Town Crier (Bishopsteignton, Devon)  
Jane Dodd – Town Crier (Chesham, Buckinghamshire)

Jason Ede – Town Crier (Newhaven, East Sussex)  
Simon Bartlett – Town Crier (Bampton and Huntsham, Devon)  
David Bradshaw – Town Crier (Newquay, Cornwall)  
Andrew Downing – Town Crier (Stamford, Lincolnshire)  
Martin Payne – Town Crier (Bungay, Suffolk)  
Peter Powell – Town Crier (Lymm Cross, Cheshire)  
Karen Bailey – Town Crier (Swadlincote, Derbyshire)  
John Parsons – Town Crier (Macclesfield, Cheshire)  
David Charles Milton – Town Crier (Watchet, Somerset)  
John Griffiths – Town Crier (Sleaford, Lincolnshire)  
Elizabeth Anderson-Watson – Town Crier (Barnoldswick, Lancashire)  
Steven Holt – Town Crier (Morley, West Yorkshire)  
David Summers – Town Crier (Mablethorpe & Sutton, Lincolnshire)  
Alan Spencer – Town Crier (City of Southampton, Hampshire)  
Joseph David – Town Crier (Hinkley, Leicestershire)  
Roy Palmer – Town Crier (Royal Hospital Chelsea, London)  
Hilary McGrath – Town Crier (Garstang, Lancashire)



*Michael Wood, Town Crier,  
East Riding of Yorkshire.*

# Town Criers - Roll of Honour

Michael Hickmott – Town Crier (Tenterden, Kent)  
Kevin N Ward – Town Crier and Bellman (Court Leet & Court Baron of the Manor of Bromsgrove)  
David Peters – Town Crier & Beadle (Guildford)  
Michael Reddy – Town Crier (Warwick)  
Mark Northway - Town Crier (Cromer, Norfolk)  
Sharon Wilson – Town Crier (Saltburn by the Sea, North Yorkshire)  
Alan Giles - Town Crier (Fowey, Cornwall)  
Alan Myatt – Town Crier (Camden Market, Covent Garden, London, City and Port of Gloucester)  
David Burrows – Town Crier (Southwold)  
Chris Conlan – Town Crier (Sevenoaks, Kent)  
John Bateson – Town Crier (Kendal, Cumbria)  
Francesca Fitch – Town Crier (Town Square, Shefford, Bedfordshire)  
Michael Eldred - Town Crier (The Swan Public House, Rayne, Essex)  
David Greenway – Town Crier (Glastonbury Town Council, Somerset)  
Grant Dennis – Town Crier (Porlock Parish Council, Porlock, Minehead, Somerset)  
Leslie Ellis - Town Crier (Dartmouth, Devon)



## SCOTLAND

Councillor David Coleman & Bugler Mr Michael Hunter (Fife)



## WALES

Susie Blower – Town Crier (Montgomery, Powys, Wales)  
David Salter – Town Crier (Llanfair Caereinion, Powes)  
Bob Williams – Town Crier (Pontardawe, Swansea)  
Janet Swindale – Town Crier (Llandrindod Wells, Powys)  
Jon Wilks – Town Crier (Cowbridge, Vale of Glamorgan)



Stephen Clarke, Town Crier of NSW Central Coast, Australia, plays a fanfare on a Bugle before undertaking a Proclamation. This is most significant because at the top of the Gosford Coat of Arms there is a Cockrel standing on the bugle. Gosford is the capital of the NSW Central Coast and Stephen has been the official Town Crier there since 1990.

# Town Criers - Roll of Honour



## NORTHERN IRELAND

John Cartwright – Town Crier (Ballynahinch, County Down)  
Toastmaster Gary Wilson (Enniskillen)



## AUSTRALIA

Bob Townshend – Town Crier (Southern Downs Regional Council, Queensland, Australia)  
Stephen Clarke OAM – Town Crier (Central Coast Council, New South Wales, Australia)  
Gavin Barker – Town Crier (Moorabool Shire, Australia)  
Tom Benny – Honary Town Crier (City of Salisbury, South Australia)  
Judith Cambell – Town Crier (Campaspe Shire, Victoria & Murray River Council, New South Wales, Australia)  
Ken Ashford – Town Crier (Fraser Coast Regional Council, Australia)  
Joseph McGrail-Bateup – Town Crier (Queanbeyan, Australia)  
Alan Moyse – Town Crier (Bega Valley Shire, Australia)  
Bill Wallace – Town Crier (Municipality of Lane Cove, New South Wales, Australia)  
James Carter – Town Crier (Strathbogie Shire, Victoria, Australia)  
Frederick Krebs – Town Crier (City of Redcliff, Queensland, Australia)  
Timothy Keith – Town Crier (Parkes Shire, New South Wales, Australia)  
Graham Keating – Town Crier (City of Sydney, New South Wales, Australia)  
Mark Overell – Town Crier (City of Ipswich, Queensland, Australia)  
Syd Norman – Town Crier (Scenic Rim Regional Council, Australia)  
Philip Greenbank, President, Australasian Guide of Town Criers & – Town Crier (Hepburn Shire, Victoria, Australia)  
Mike Willett – Town Crier (Victor Harbour, Australia)  
Kyle Frederick Sturgess – Town Crier (Bland Shire, New South Wales, Australia)  
Kevin Howarth – Town Crier (Toowoomba Regional Council, Queensland, Australia)



Patrick M Sirianni, Town Crier, City of Niagara Falls, Ontario, Canada. Patrick will be undertaking this unique Tribute To Her Majesty The Queen from the world famous Horseshoe Falls, also know as the Canadian Falls on the Niagara River along the Canada-United States Border.



## BERMUDA

A David Frith JP – Town Crier (St George's, Bermuda)  
Ed Christopher – Town Crier (City of Hamilton, Bermuda)

# Town Criers - Roll of Honour



## CANADA

Ken Templeman – Town Crier (Collingwood, Canada)  
Tom Kerr – Town Crier (Municipality of Trent Hills, Canada)  
Bruce C Kruger MB SBTJ – Town Crier (Bracebridge, Ontario, Canada)  
Jenn Olivero – Town Crier (Hanover, Canada) & Secretary to the Ontario Guild of Town Criers  
David McKee – Town Crier (Brantford, Canada)  
Gary Long – Town Crier (Canning & Berwick, Nova Scotia, Canada)  
Athol Hart – Town Crier (Newmarket, Ontario, Canada)  
Stephen J Travers – Town Crier (City of Barrie, Ontario, Canada)  
John Webster – Town Crier (City of Markham & Towns of Aurora, East Gwillimbury & Cary, Canada)  
David Vollick – Town Crier (City of Burlington, Ontario, Canada)  
Tom Pekar – Town Crier (Port Colborne, Ontario, Canada)  
Wes Libbey – Town Crier (Stormont, Dundas & Glengary Historical Society, Cornwall, Ontario, Canada)  
Patrick M Sirianni – Town Crier (City of Niagara Falls, Ontario, Canada)  
Liam Cragg – Town Crier (Township Alnwick / Haldimand, Ontario, Canada)  
Daniel Richer Dit Lafleche – Town Crier (Ottawa, Canada)  
Brian Mabee – Town Crier (1000 Islands known as Gananoque, Ontario, Canada)  
James Stewart – Town Crier (New Glasgow, Nova Scotia, Canada)  
Larry Davis – Town Crier (Brant County, Ontario, Canada)



## HAWAII

Hardy Spoehr – Town Crier (Honolulu, Hawaii). Hardy will be undertaking the 'Cry' from the steps of the 'IOLANI PALACE, the home of the Kings and Queens of Hawaii



## NEW ZEALAND

James Donald - Town Crier (Howick, New Zealand)  
Lyal Brenton JP - Town Crier (Palmerston North, New Zealand)  
Paddy-Ann Pemberton – Town Crier (Central Otago, New Zealand)  
Lynley McKerrow – Town Crier (Southland Council, New Zealand)

*(more acknowledgements to follow)*

# The Queen's Platinum Jubilee Beacons

## Supporters

### THE FOUR PEAKS WALKING WITH THE WOUNDED



**ENGLAND**  
Scafell Pike



**SCOTLAND**  
Ben Nevis



**WALES**  
Mount Snowdon



**NORTHERN IRELAND**  
Slieve Donard



# The Queen's Platinum Jubilee Beacons

## Supporters



Local  
BBC Radio

BBC RADIO  
Berkshire

BBC RADIO  
Bristol

BBC RADIO  
Cambridgeshire

BBC RADIO  
Cornwall

BBC RADIO  
Cumbria

BBC RADIO  
CWR

BBC RADIO  
Derby

BBC RADIO  
Devon

BBC  
Essex

BBC RADIO  
Gloucestershire

BBC RADIO  
Guernsey

# The Queen's Platinum Jubilee Beacons

## Supporters

**BBC** RADIO  
Hereford &  
Worcester

**BBC** RADIO  
Humberside

**BBC** RADIO  
Jersey

**BBC** RADIO  
Kent

**BBC** RADIO  
Lancashire

**BBC** RADIO  
Leeds

**BBC** RADIO  
Leicester

**BBC** RADIO  
Lincolnshire

**BBC** RADIO  
London

**BBC** RADIO  
Manchester

**BBC** RADIO  
Merseyside

**BBC** RADIO  
Newcastle

**BBC** RADIO  
Norfolk

**BBC** RADIO  
Northampton

**BBC** RADIO  
Nottingham

**BBC** RADIO  
Oxford

**BBC** RADIO  
Sheffield

**BBC** RADIO  
Shropshire

# The Queen's Platinum Jubilee Beacons

## Supporters



Creative & Commercial



# The Queen's Platinum Jubilee Beacons

## Supporters



# The Queen's Platinum Jubilee Beacons

Supporters



# The Queen's Platinum Jubilee Beacons

Supporters



# The Queen's Platinum Jubilee Beacons

## Supporters





Bruno Peek LVO OBE OPR  
Pageantmaster  
The Queen's Platinum Jubilee Beacons  
Telephone: + 44 (0) 7737 272 913  
Email: brunopeek@mac.com

The playing of DIU REGNARE  
Piper Liaisons, Piper Robert Procter & Piper Stuart Letford  
Susan Osborne Msc FRSA, NHS Liaison Director  
Baizhou Cai, Chinese Community Liaison (UK)

Bruno Peek LVO OBE PR, Pageantmaster  
will NOT be available via email from  
12noon on 30th May through to 6th June 2022  
but will be contactable on + 44 (0) 7737 262 913  
from 7am through to 10pm GMT.

*Front and back cover photograph:  
The Coronation of Queen Elizabeth II, by Cecil Beaton. © Victoria and Albert Museum, London.  
Guide designed by TMS Media +44 (0)1493 662929*

